

SETUP INSTRUCTIONS

FIGURE 7

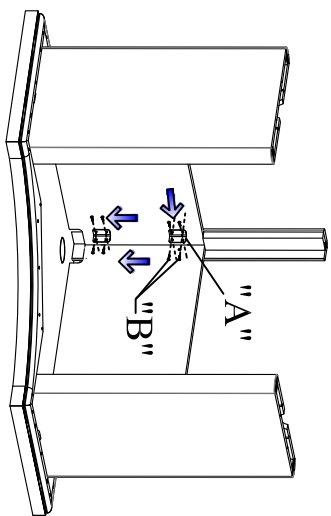


FIGURE 8

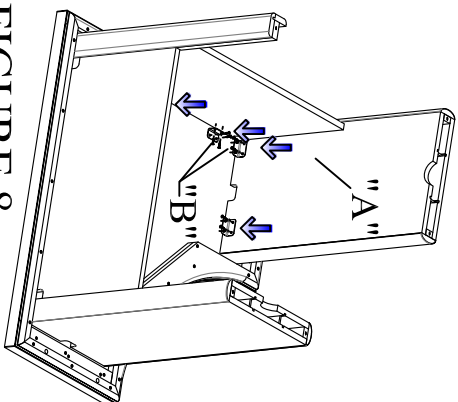


FIGURE 9

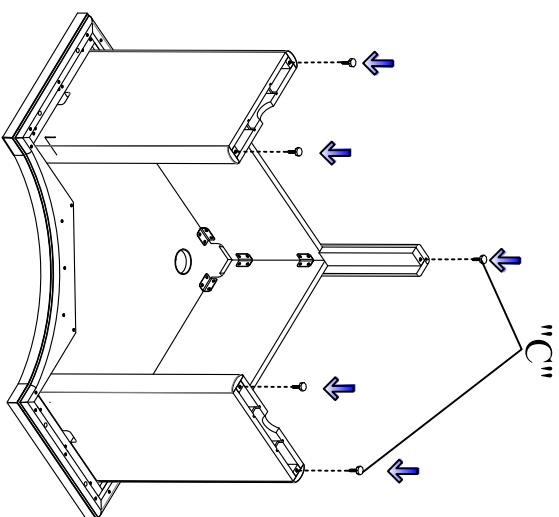
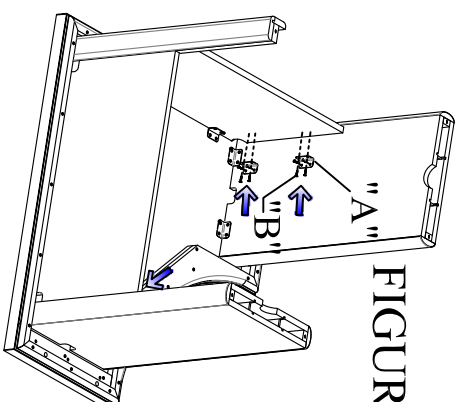


FIGURE 10

FIGURE 11

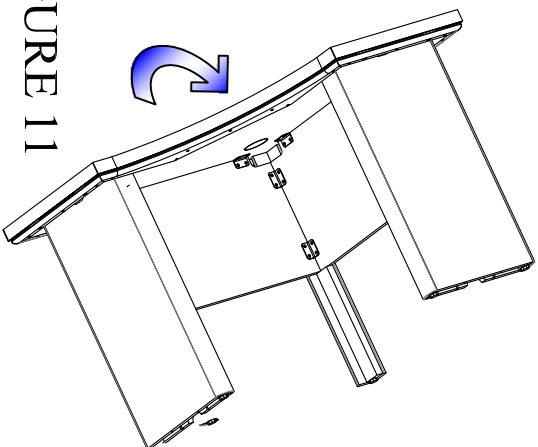
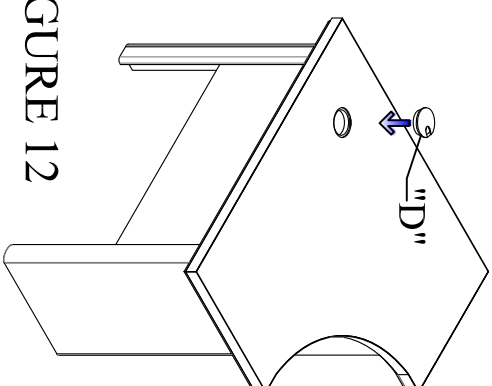


FIGURE 12



1. Mount two (2) BLACK L-Brackets ("A") to connect the Modesty Panels using eight (8) 5/8" screws ("B") (Fig. 7).
2. Install four (4) BLACK L-Brackets ("A") to join Modesty Panels to the Top, as shown, using eight (8) 5/8" screws ("B") (Fig. 8.)
3. Install four (4) BLACK L-Brackets ("A") to connect the legs (2 & 3) with the Modesty Panels, using sixteen (16) 5/8" screws ("B") (Fig. 8.)
4. Install five (5) Levelers ("C") (Fig. 10)
5. With an ASSISTANT, Flip the unit into it's final position. (Fig. 11)
6. Add Grommets ("D") to desk. (Fig. 12)