

# SM690

## SETUP INSTRUCTIONS

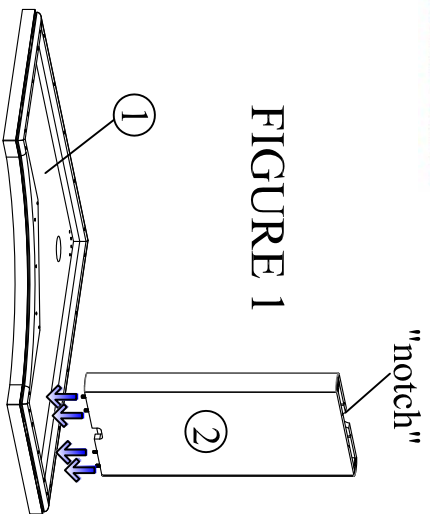


FIGURE 1

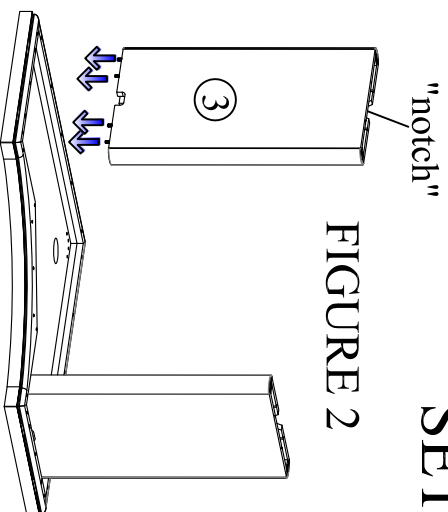


FIGURE 2

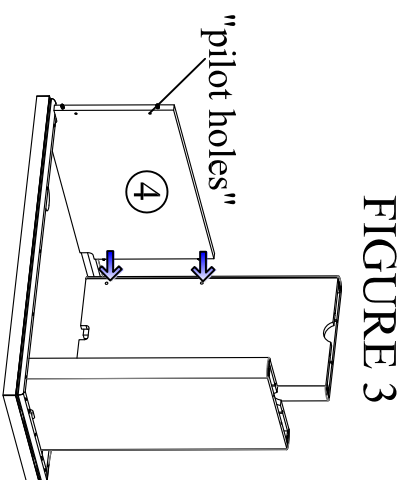


FIGURE 3

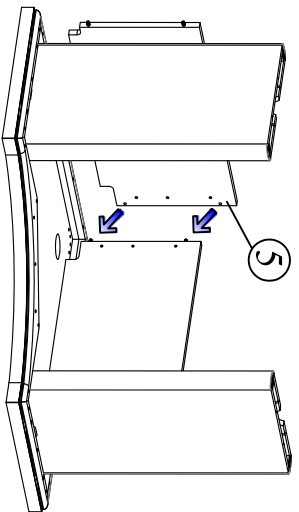


FIGURE 4

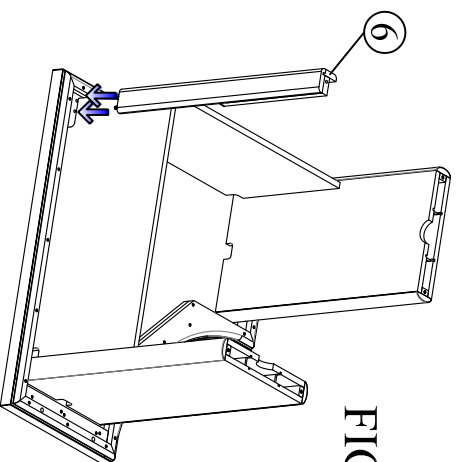


FIGURE 5

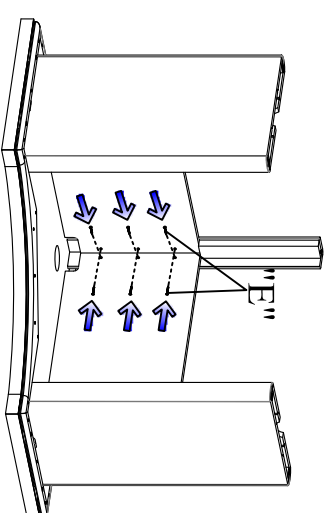


FIGURE 6

### INSTRUCTIONS:

1. Unpack all from box.
2. Place the top (1) face down on a soft surface (can use the protective foam) (Fig.1)
3. Locate the RIGHT leg (2) into dowel holes, orientating the notch toward the inside, as shown (Fig.1).
4. Locate the LEFT leg (3) into the dowel holes, orientating the notch toward the inside, as shown (Fig.2).
5. Locate Modesty Panel (4) into the dowel holes on the inside of the leg (2) (Fig.3).
6. Locate Modesty Panel (5) into the dowel holes of the other Side (3) then onto Modesty Panel (4) (Fig.4).
7. Position the CORNER leg (6) onto the corner of the two modesty panels, as shown (Fig.5).
8. Secure Leg with six (6) DRYWALL ("E") in the Modesty Panel, as shown (Fig.6).

No.	Hardware List SM690	Qty
A	L-BRACKET - BLACK	14
B	6X5/8" PHIL FLAT PBS BLACK	56
C	HEX HEAD LEVELER	5
D	GROMMET	1
E	6X1 1/4" DRYWALL	6