










Congratulations on the purchase of your new OFFICIENT chair!

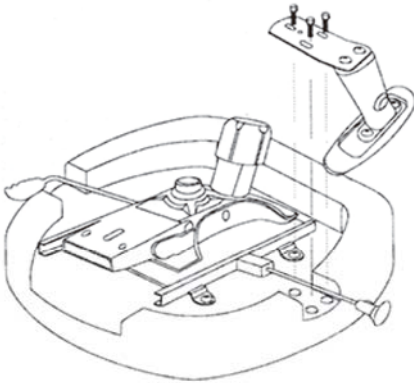
PARTS (REMOVE ALL THE PARTS FROM THE CARTON AND VERIFY PART QUANTITIES AS INDICATED IN THIS PARTS LIST.)

<p>①</p>  <p>ARM REST - QTY: 2</p>	<p>②</p>  <p>SEAT CUSHION WITH MECHANISM QTY: 1</p>  <p>(top view) (bottom view)</p>	<p>③</p>  <p>BACK CUSHION QTY: 1</p>	<p>④</p>  <p>CASTER - QTY: 5</p>	
<p>⑤</p>  <p>BASE - QTY: 1</p>	<p>⑥</p>  <p>GAS LIFT - QTY: 1</p>	<p>⑦</p>  <p>SCREWS - QTY: 6 (for arm rests)</p>	<p>⑧</p>  <p>BOLTS - QTY: 3 (for back cushion)</p>	<p>ATTENTION: MAKE SURE ALL THE SCREWS AND BOLTS ARE FULLY TIGHTENED BEFORE USING THE CHAIR.</p>

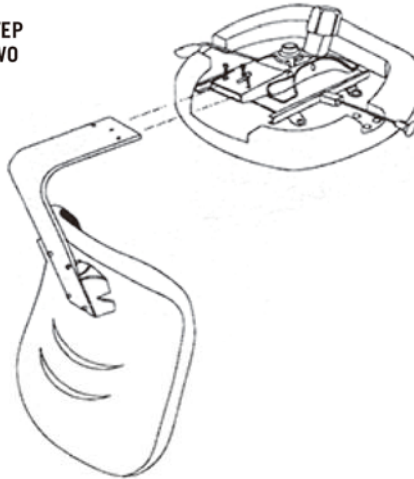
INSTRUCTIONS

- STEP ONE** Attach the arm rests ① to the seat cushion ② with screws ⑦.
- STEP TWO** Attach the back cushion ③ to the mechanism on the bottom of the seat cushion ②.
- STEP THREE** Insert the casters ④ to the base ⑤.
- STEP FOUR** Insert the gas lift ⑥ to the base ⑤.
- STEP FIVE** Place the whole set on top of the gas lift ⑥.

STEP ONE



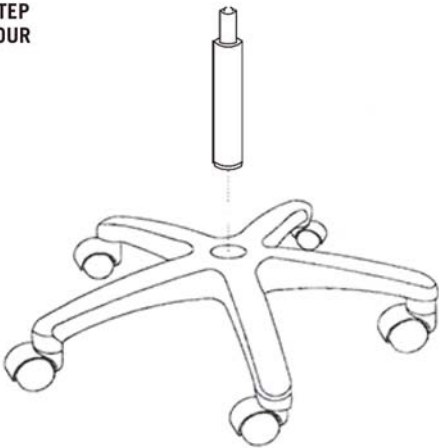
STEP TWO



STEP THREE



STEP FOUR



STEP FIVE



WWW.NBF.COM

CUSTOMER SERVICE HOTLINE
800-626-6060