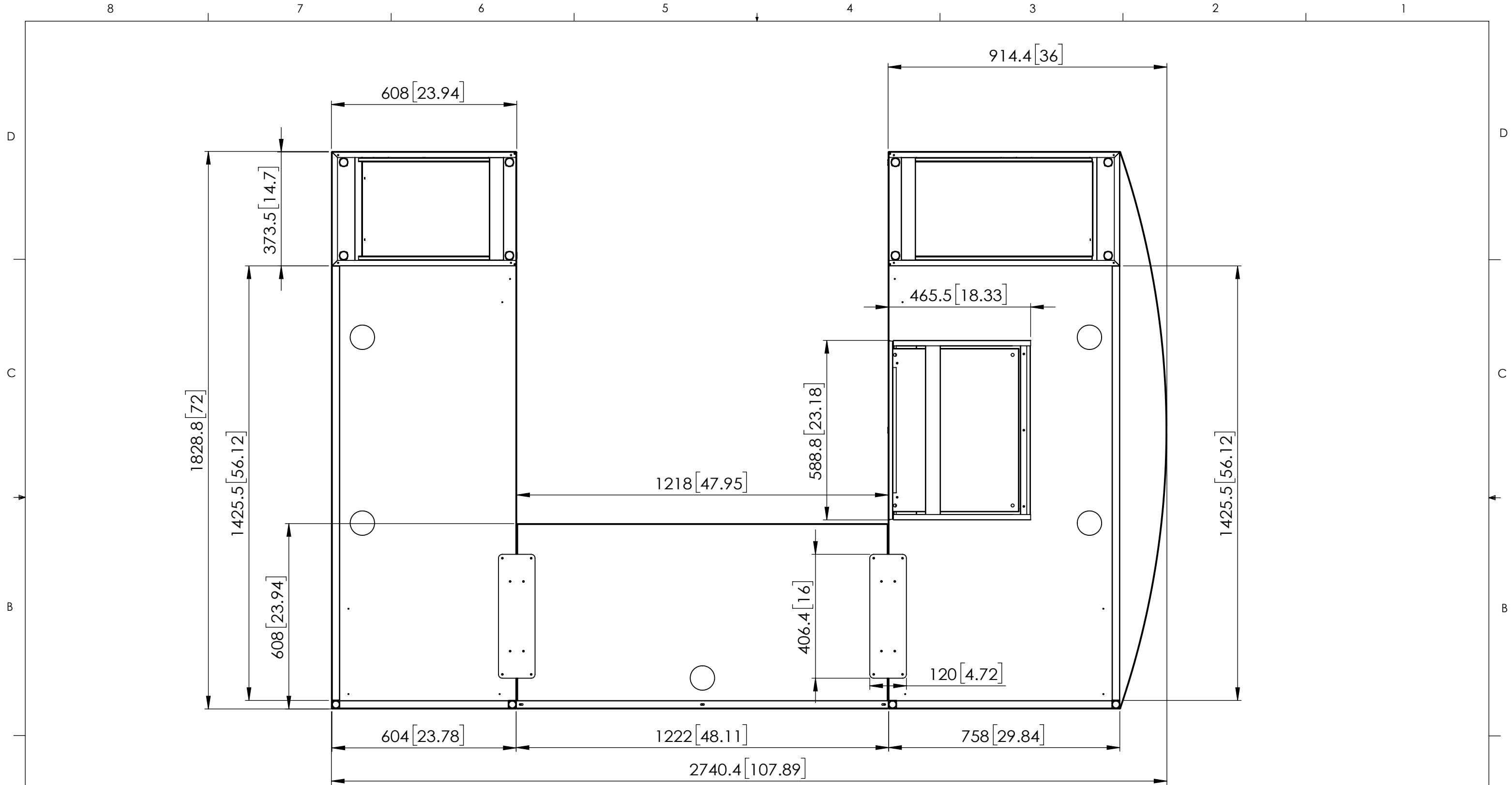
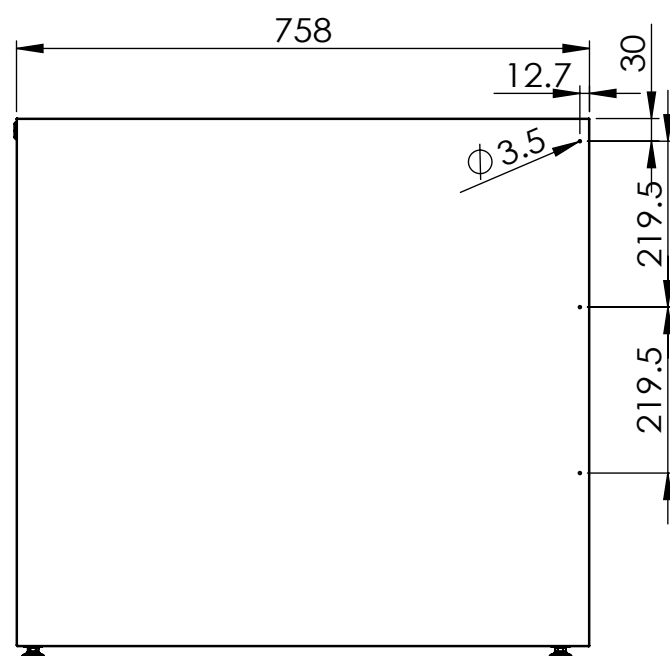
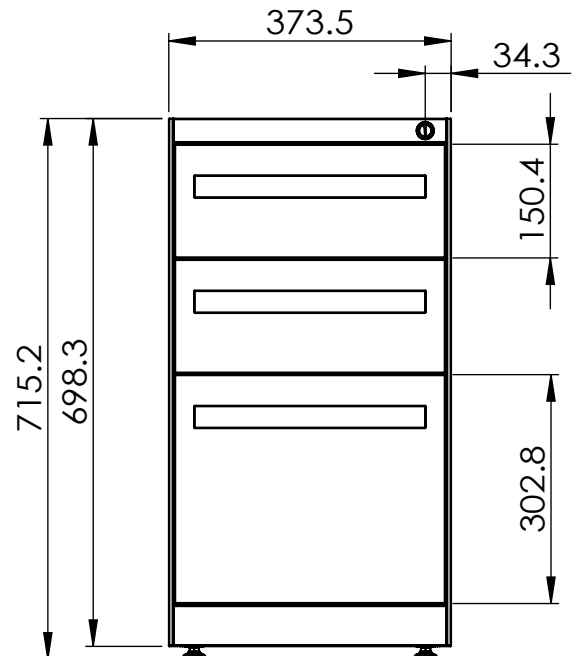
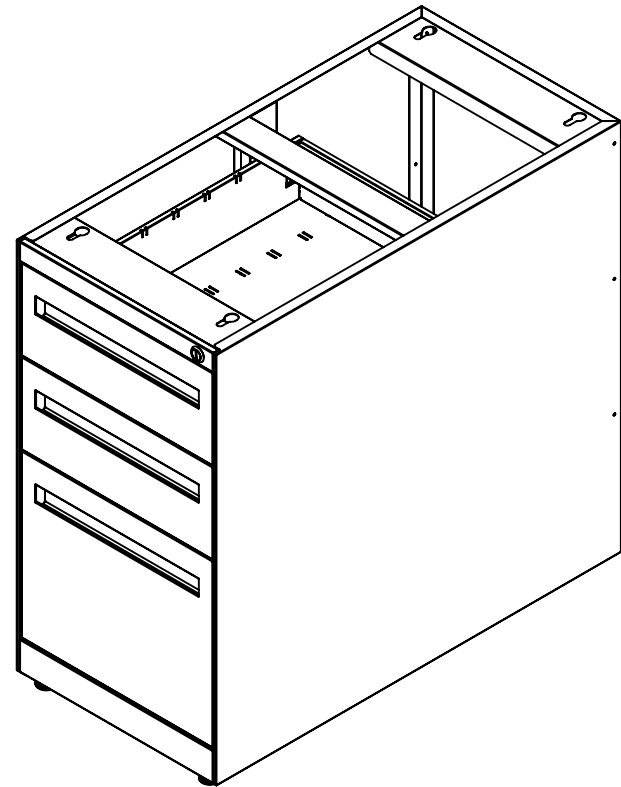
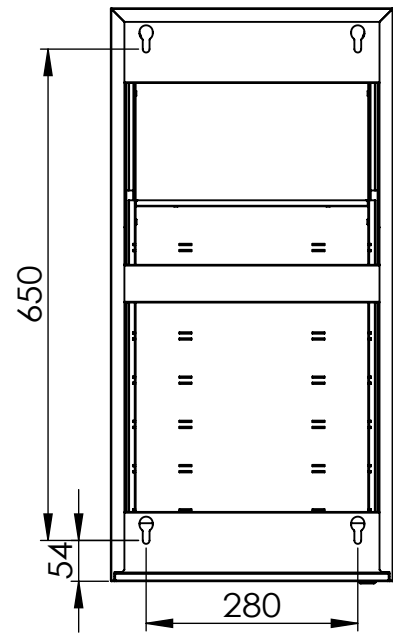


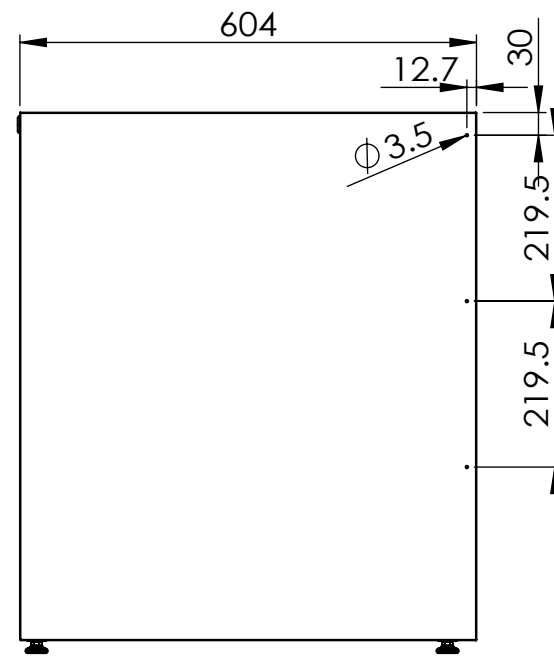
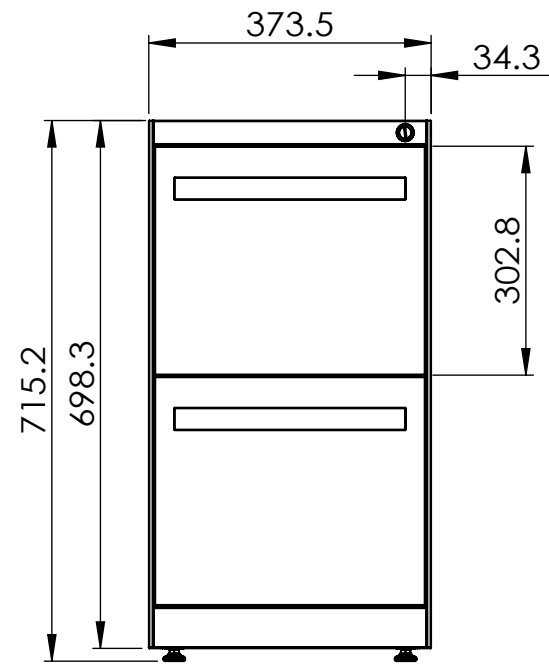
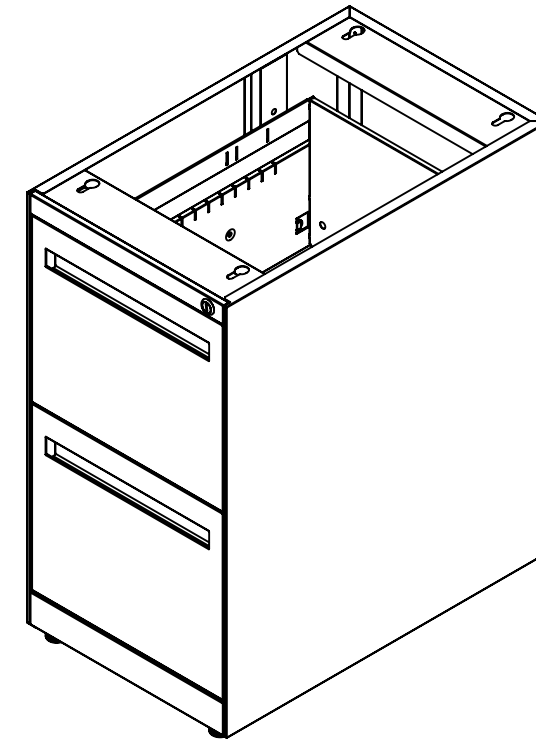
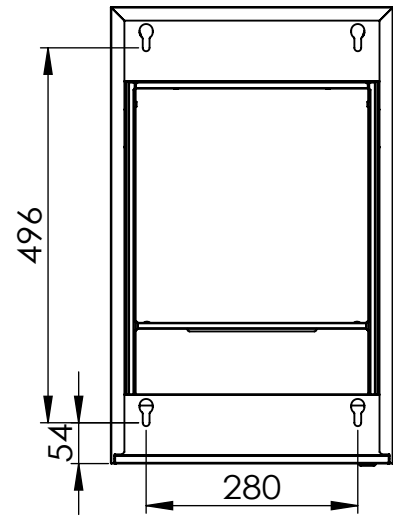
	NAME	DATE	ANN YANG INC.		TEL:03-5688179 FAX:03-5689119
DRAWN	<i>Kennedy</i>	2019/3/21	TITLE:		
CHECKED			13912		
ENG APPR.			SIZE	DWG. NO.	
MFG APPR.			B	13912	
Q.A.			SCALE: 1:25	WEIGHT:	SHEET 1 OF 2
FINISH POWDER COATING		COMMENTS: 1. CHECK DIMENSIONS 2. REMOVE ALL SHARP EDGE & BURRS.			
DO NOT SCALE DRAWING					



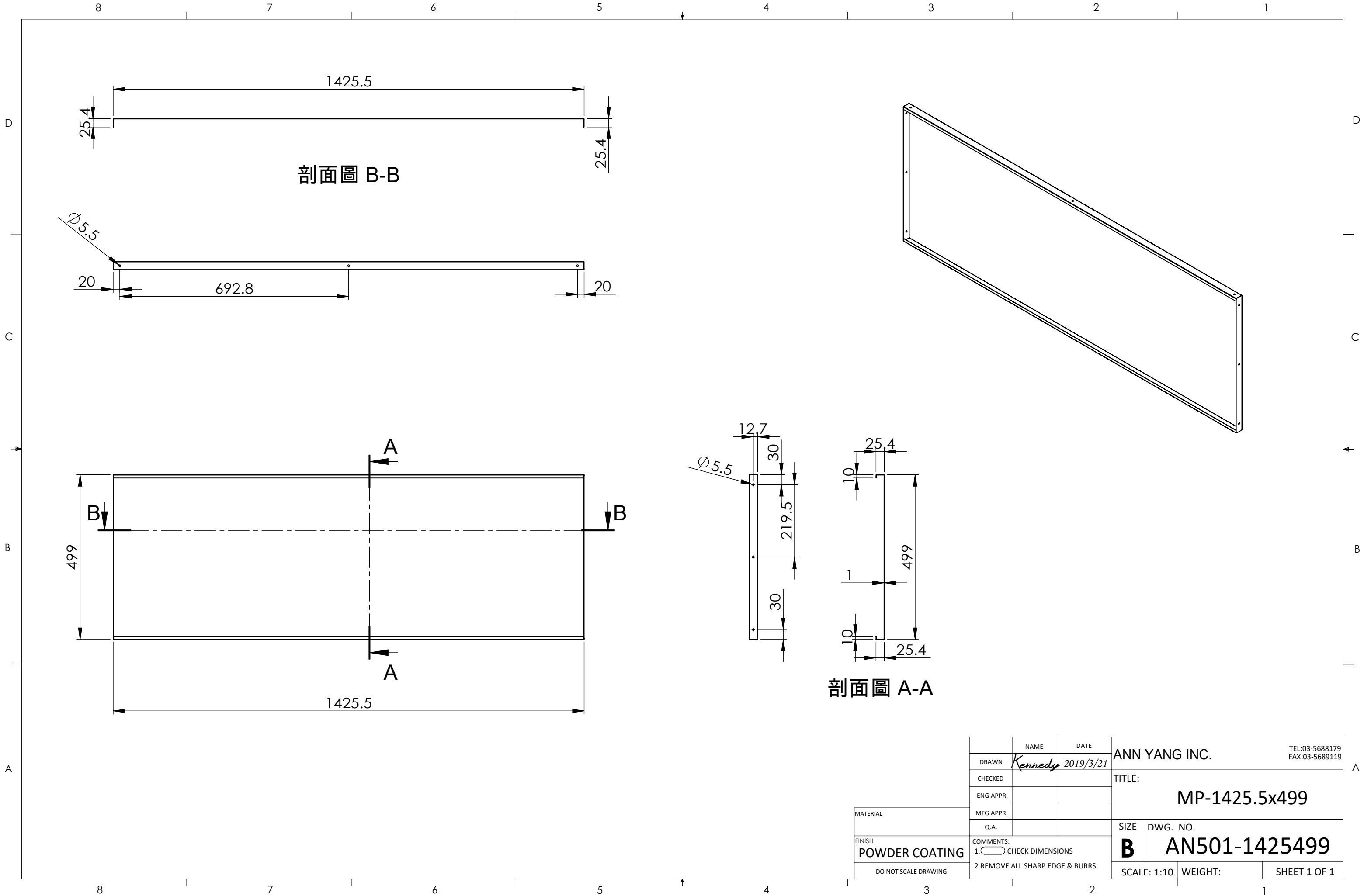
	NAME	DATE	ANN YANG INC.		TEL:03-5688179
DRAWN	<i>Kennedy</i>	2019/3/21	TITLE:		FAX:03-5689119
CHECKED			Bottom View		
ENG APPR.					
MATERIAL			SIZE	DWG. NO.	
FINISH			B	13912	
POWDER COATING	COMMENTS:		SCALE: 1:12	WEIGHT:	SHEET 2 OF 2
DO NOT SCALE DRAWING	1. CHECK DIMENSIONS 2. REMOVE ALL SHARP EDGE & BURRS.				



	NAME	DATE	ANN YANG INC.		TEL:03-5688179 FAX:03-5689119
DRAWN	<i>Kennedy</i>	2019/3/21	TITLE:		
CHECKED			RP30BBF		
ENG APPR.					
MATERIAL	MFG APPR.		SIZE	DWG. NO.	
FINISH	Q.A.		B	AN105-001-RP30BBF	
DO NOT SCALE DRAWING	COMMENTS: 1. CHECK DIMENSIONS 2. REMOVE ALL SHARP EDGE & BURRS.		SCALE: 1:10	WEIGHT:	SHEET 1 OF 1



	NAME	DATE	ANN YANG INC.		TEL:03-5688179 FAX:03-5689119
DRAWN	<i>Kennedy</i>	2019/3/21	TITLE:		
CHECKED			RP24FF		
ENG APPR.					
MATERIAL	MFG APPR.		SIZE	DWG. NO.	
FINISH	Q.A.		B	AN105-001-RP24FF	
POWDER COATING	COMMENTS: 1. CHECK DIMENSIONS 2. REMOVE ALL SHARP EDGE & BURRS.			SCALE: 1:10	WEIGHT:
DO NOT SCALE DRAWING					

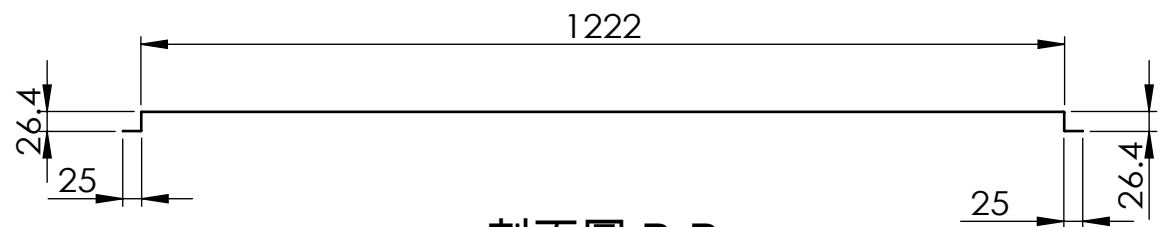


剖面圖 B-B

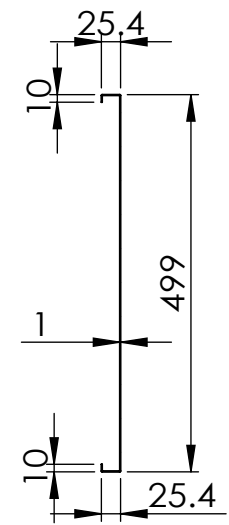
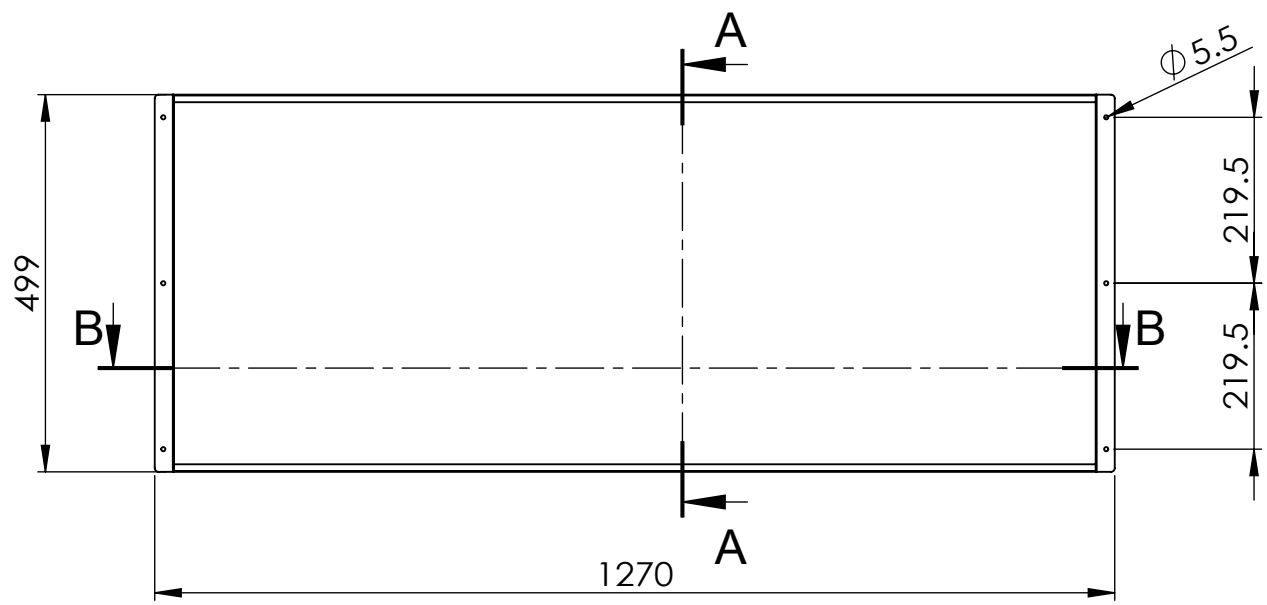
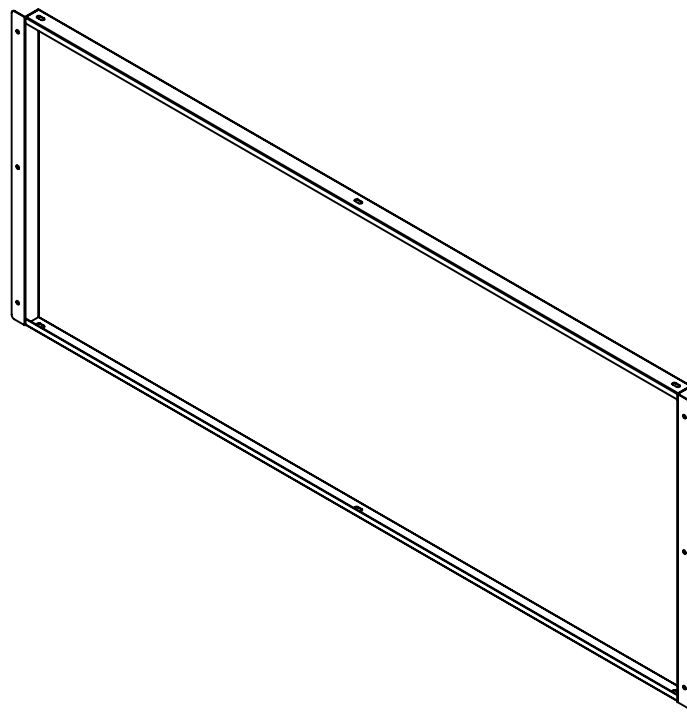
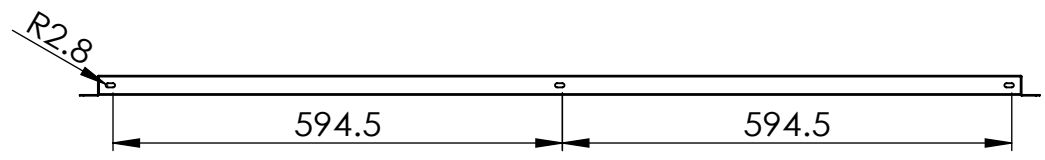
剖面圖 A-A

	NAME	DATE	ANN YANG INC.		TEL:03-5688179 FAX:03-5689119
DRAWN	<i>Kennedy</i>	2019/3/21	TITLE:		
CHECKED			MP-1425.5x499		
ENG APPR.					
MATERIAL	MFG APPR.		SIZE	DWG. NO.	
FINISH	Q.A.		B	AN501-1425499	
POWDER COATING	COMMENTS: 1. CHECK DIMENSIONS 2. REMOVE ALL SHARP EDGE & BURRS.				
DO NOT SCALE DRAWING			SCALE: 1:10	WEIGHT:	SHEET 1 OF 1

8 7 6 5 4 3 2 1



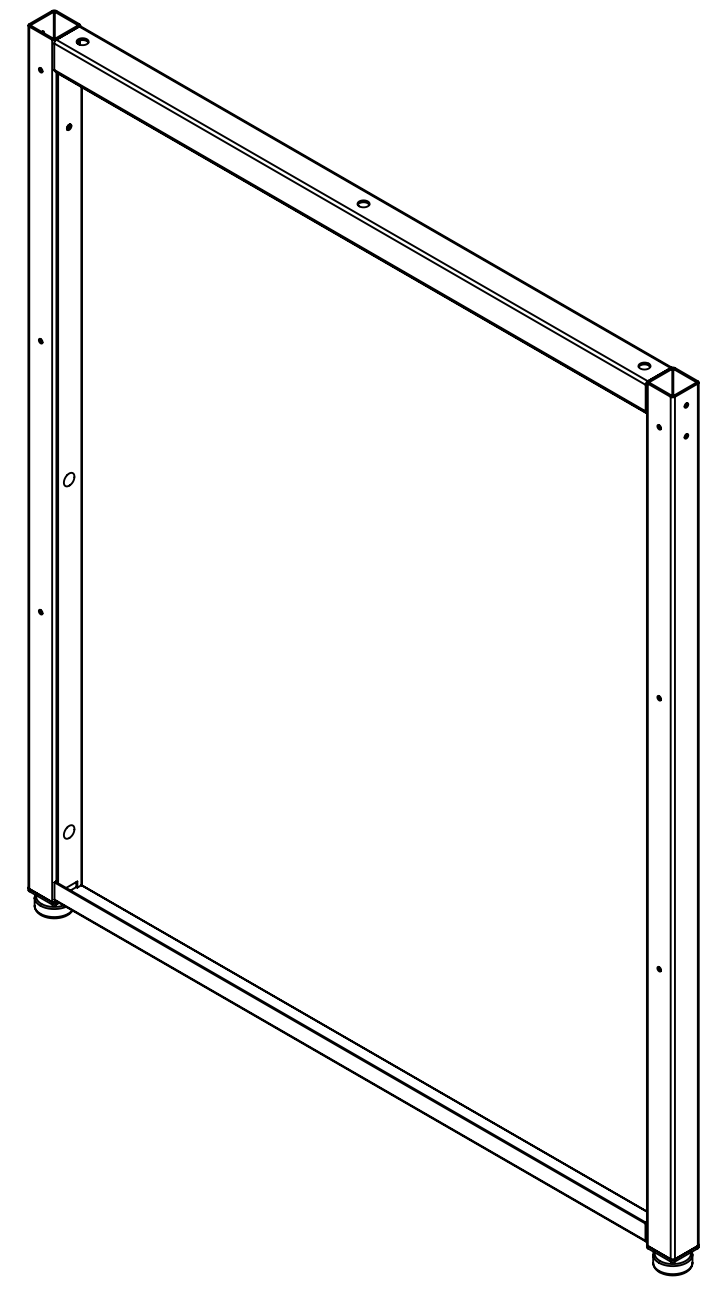
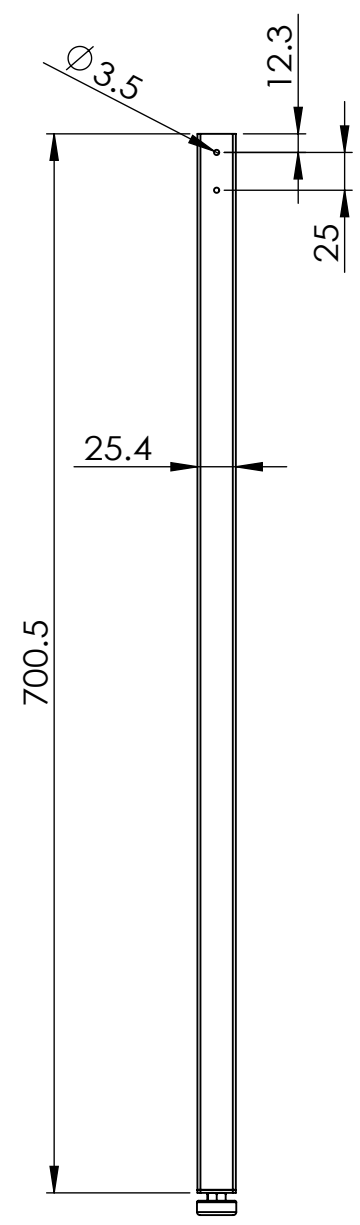
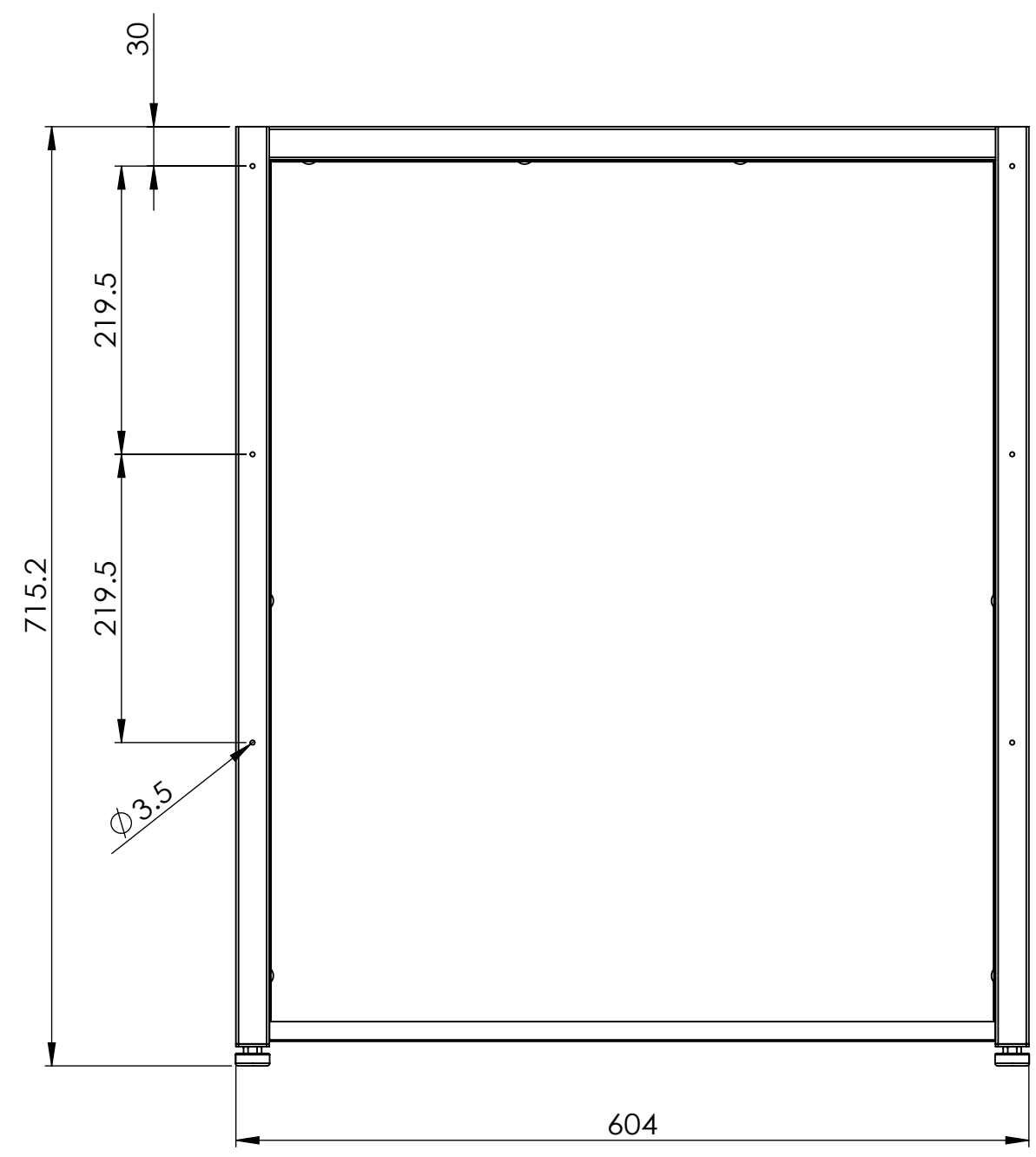
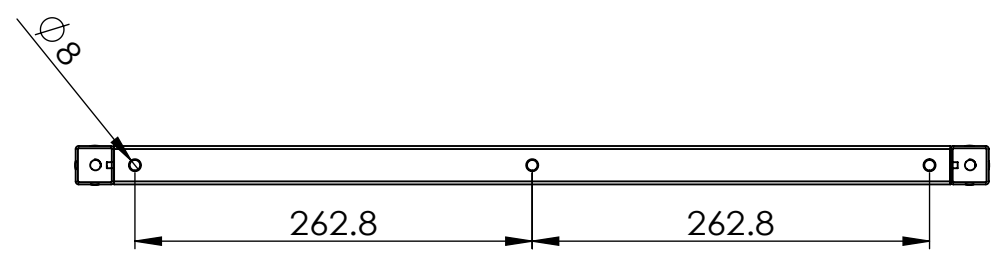
剖面圖 B-B



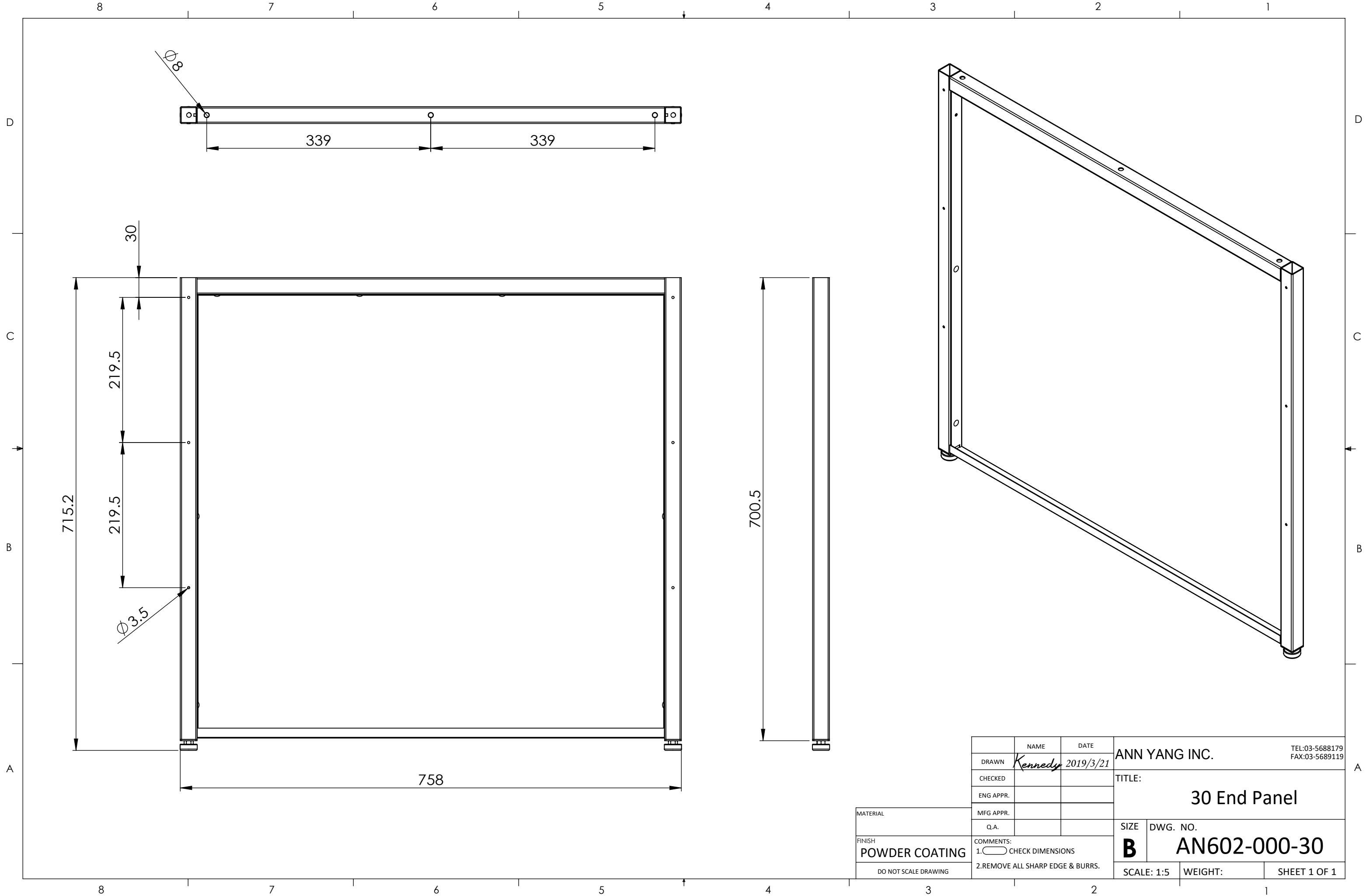
剖面圖 A-A

	NAME	DATE	ANN YANG INC.		TEL:03-5688179 FAX:03-5689119
DRAWN	<i>Kennedy</i>	2019/3/21	TITLE:		
CHECKED			RRMP-1224.6x499		
ENG APPR.			SIZE	DWG. NO.	
MFG APPR.			B	AN501-1222499	
Q.A.			SCALE: 1:10	WEIGHT:	SHEET 1 OF 1
MATERIAL		COMMENTS:			
FINISH		1. CHECK DIMENSIONS			
POWDER COATING		2. REMOVE ALL SHARP EDGE & BURRS.			
DO NOT SCALE DRAWING					

8 7 6 5 4 3 2 1



MATERIAL		NAME		DATE		ANN YANG INC.		TEL:03-5688179	
FINISH		DRAWN		2019/3/21		TITLE:		FAX:03-5689119	
DO NOT SCALE DRAWING		ENG APPR.				24 End Panel			
		MFG APPR.				SIZE		DWG. NO.	
		Q.A.				B		AN602-000-24	
		COMMENTS:		1. CHECK DIMENSIONS		SCALE: 1:5		WEIGHT:	
		2. REMOVE ALL SHARP EDGE & BURRS.				SHEET 1 OF 1			

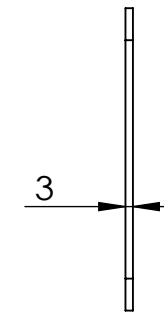
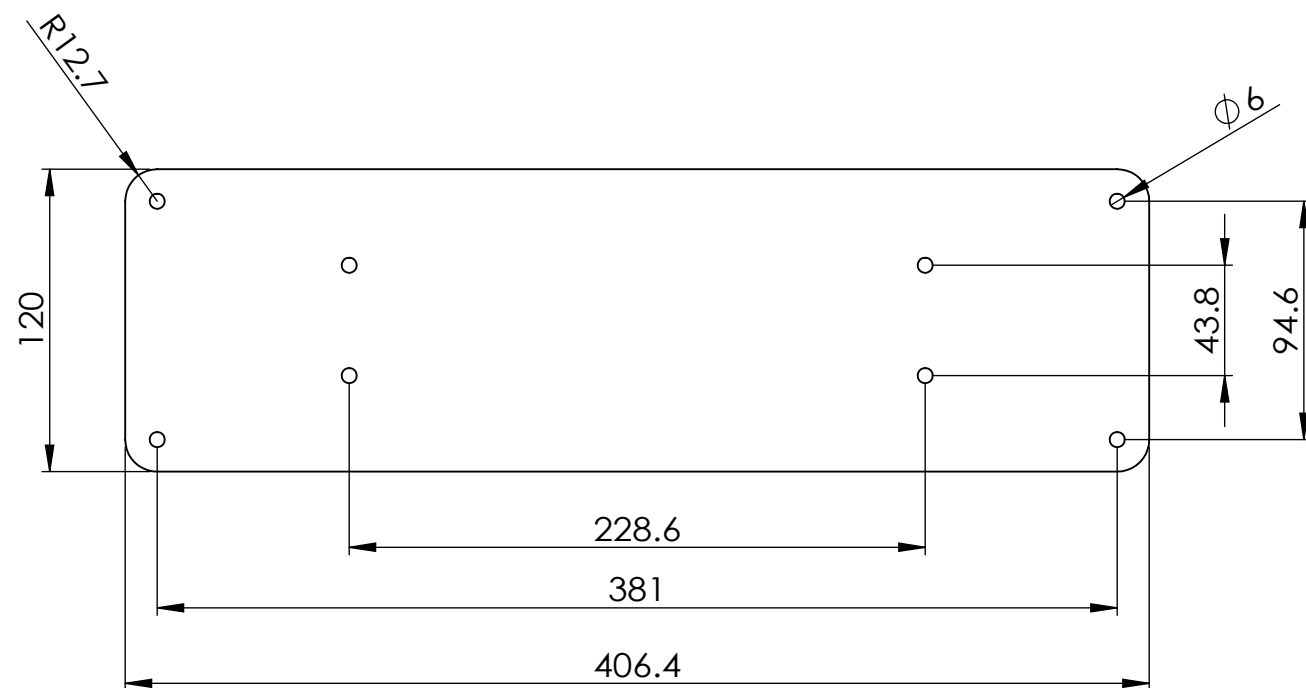
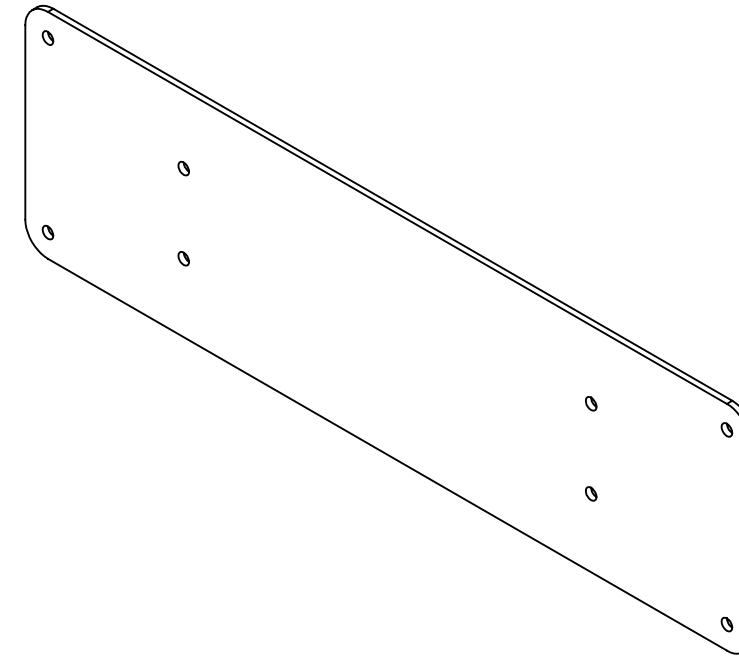


MATERIAL		NAME		DATE		ANN YANG INC.		TEL:03-5688179 FAX:03-5689119	
FINISH		DRAWN		2019/3/21		TITLE:			
DO NOT SCALE DRAWING		POWDER COATING		COMMENTS:		SIZE		DWG. NO.	
				1. CHECK DIMENSIONS		B		AN602-000-30	
				2. REMOVE ALL SHARP EDGE & BURRS.		SCALE: 1:5		WEIGHT:	
								SHEET 1 OF 1	

30 End Panel

B AN602-000-30

- 注意事項
1. 圈圈為重點檢查尺寸
 2. () 為參考尺寸
 3. 未標記公差值為 $\pm 0.2\text{mm}$



NAME		DATE	ANN YANG INC. TEL: 03-5688179	
DRAWN <i>Kennedy</i>		2018/1/26	安陽有限公司 FAX: 03-5689119	
CHECKED			TITLE:	
ENG APPR.			平接片	
MFG APPR.				
Q.A.			SIZE	DWG. NO.
FINISH 粉體烤漆		COMMENTS: 1. () CHECK DIMENSIONS (檢驗尺寸) 2. REMOVE ALL SHARP EDGE & BURRS. (不能有尖銳角和毛邊)	B	AN002-011
DO NOT SCALE DRAWING			SCALE: 1:3	WEIGHT:
				SHEET 1 OF 1