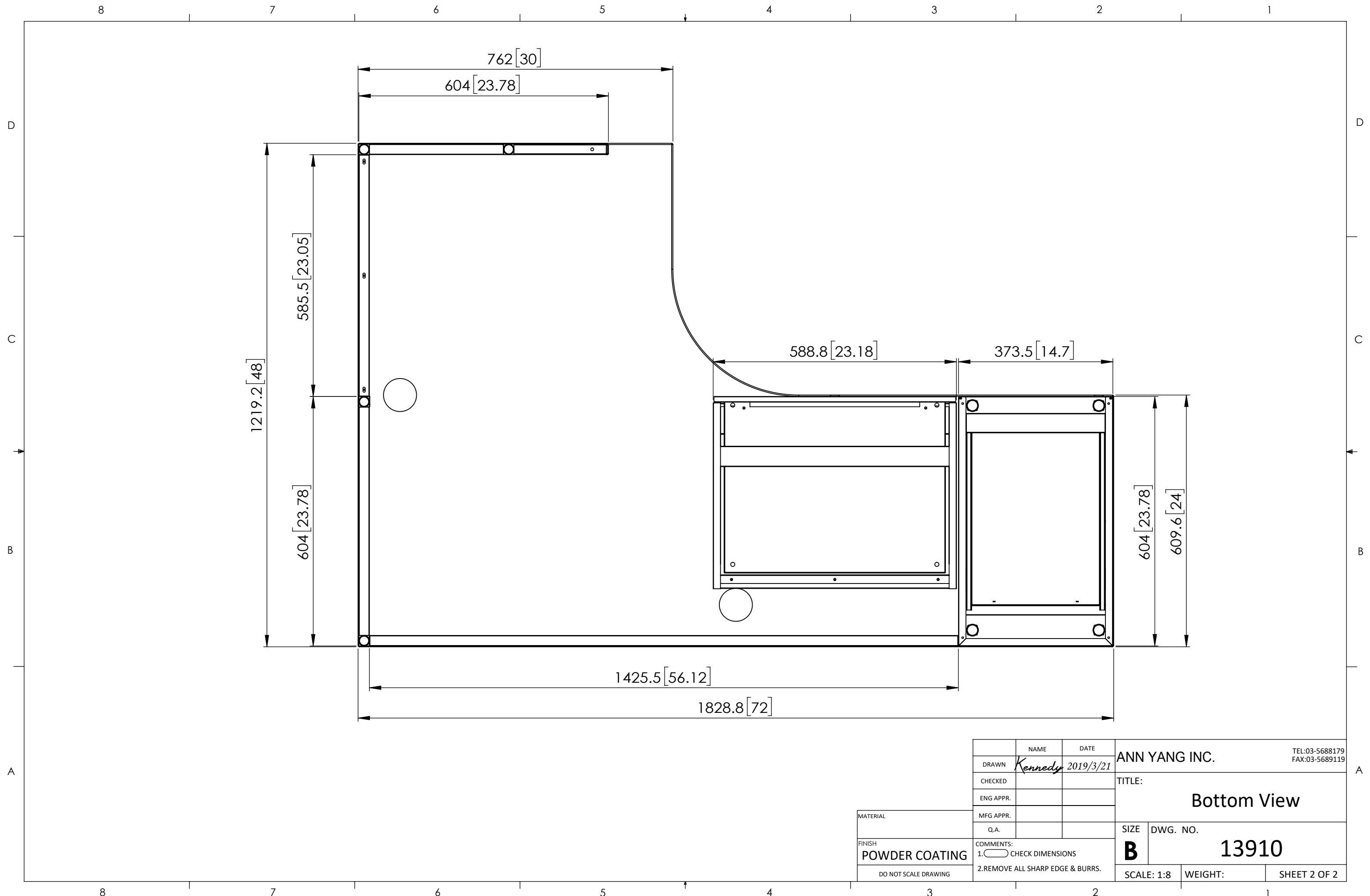
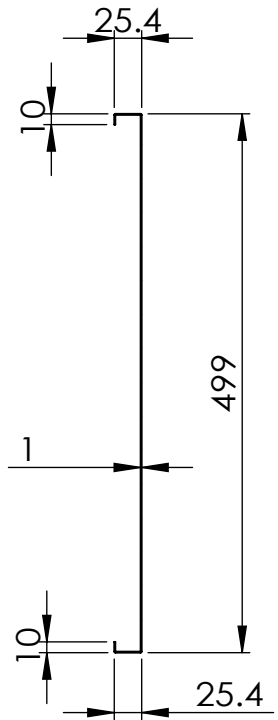
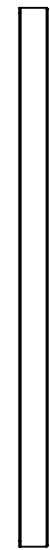
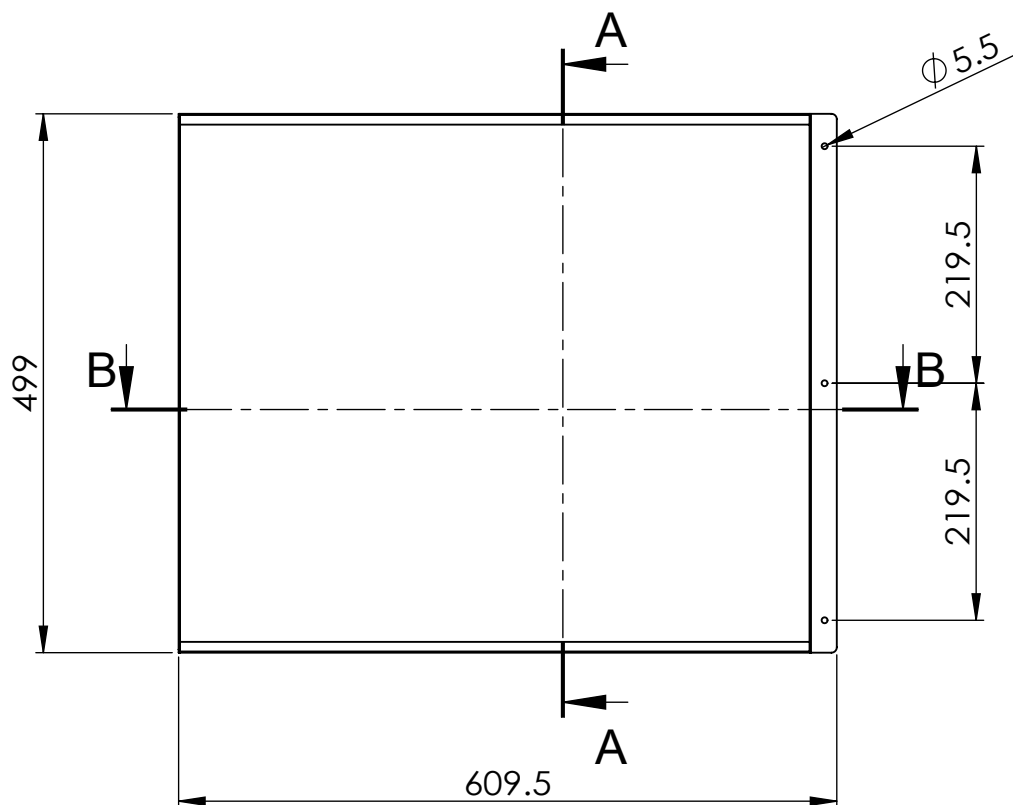
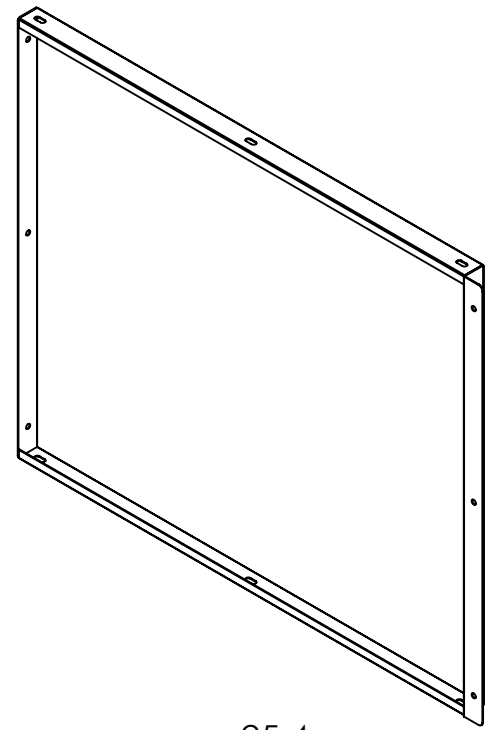
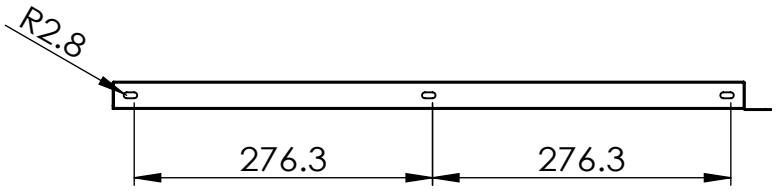
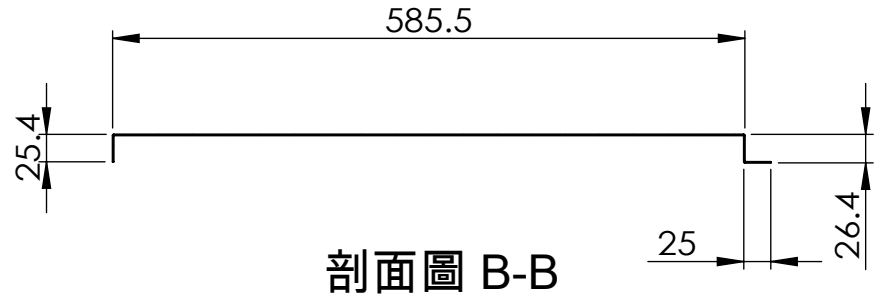


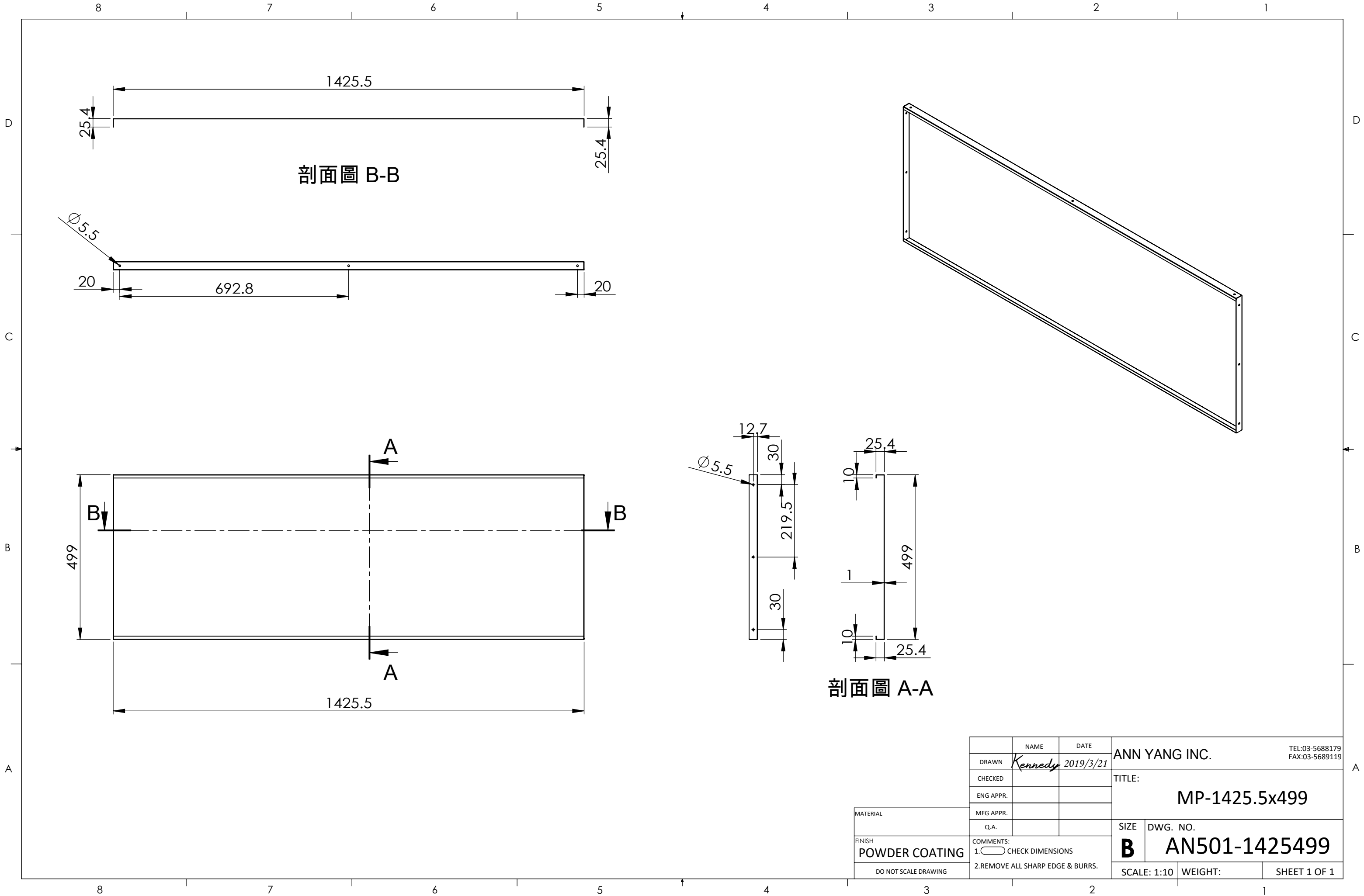
	NAME	DATE	ANN YANG INC.		TEL:03-5688179 FAX:03-5689119
DRAWN	<i>Kennedy</i>	2019/3/21	TITLE:		
CHECKED			13910		
ENG APPR.					
MATERIAL	MFG APPR.		SIZE	DWG. NO.	
FINISH	Q.A.		B	13910	
POWDER COATING	COMMENTS: 1. CHECK DIMENSIONS 2. REMOVE ALL SHARP EDGE & BURRS.		SCALE: 1:20	WEIGHT:	SHEET 1 OF 2
DO NOT SCALE DRAWING					



	NAME	DATE	ANN YANG INC.		TEL:03-5688179 FAX:03-5689119
DRAWN	<i>Kennedy</i>	2019/3/21	TITLE:		
CHECKED			Bottom View		
ENG APPR.					
MATERIAL	MFG APPR.		SIZE	DWG. NO.	
FINISH	Q.A.		B	13910	
DO NOT SCALE DRAWING	COMMENTS: 1. CHECK DIMENSIONS 2. REMOVE ALL SHARP EDGE & BURRS.		SCALE: 1:8	WEIGHT:	SHEET 2 OF 2



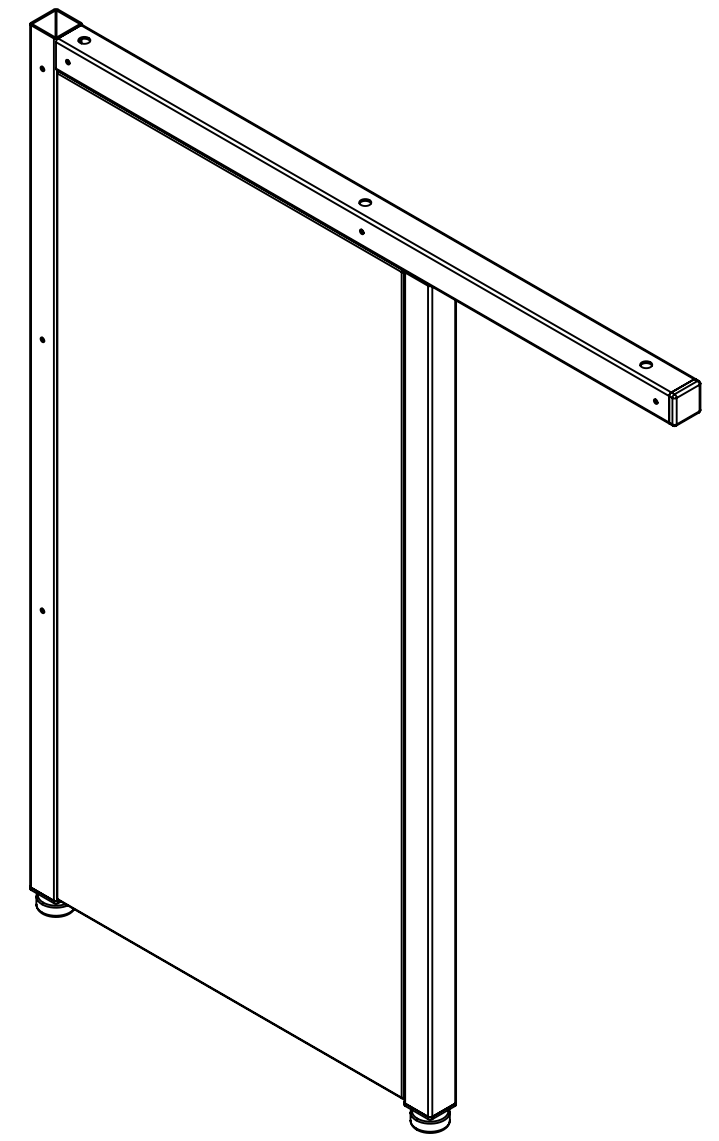
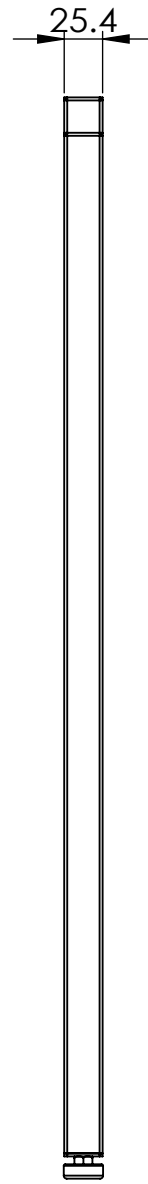
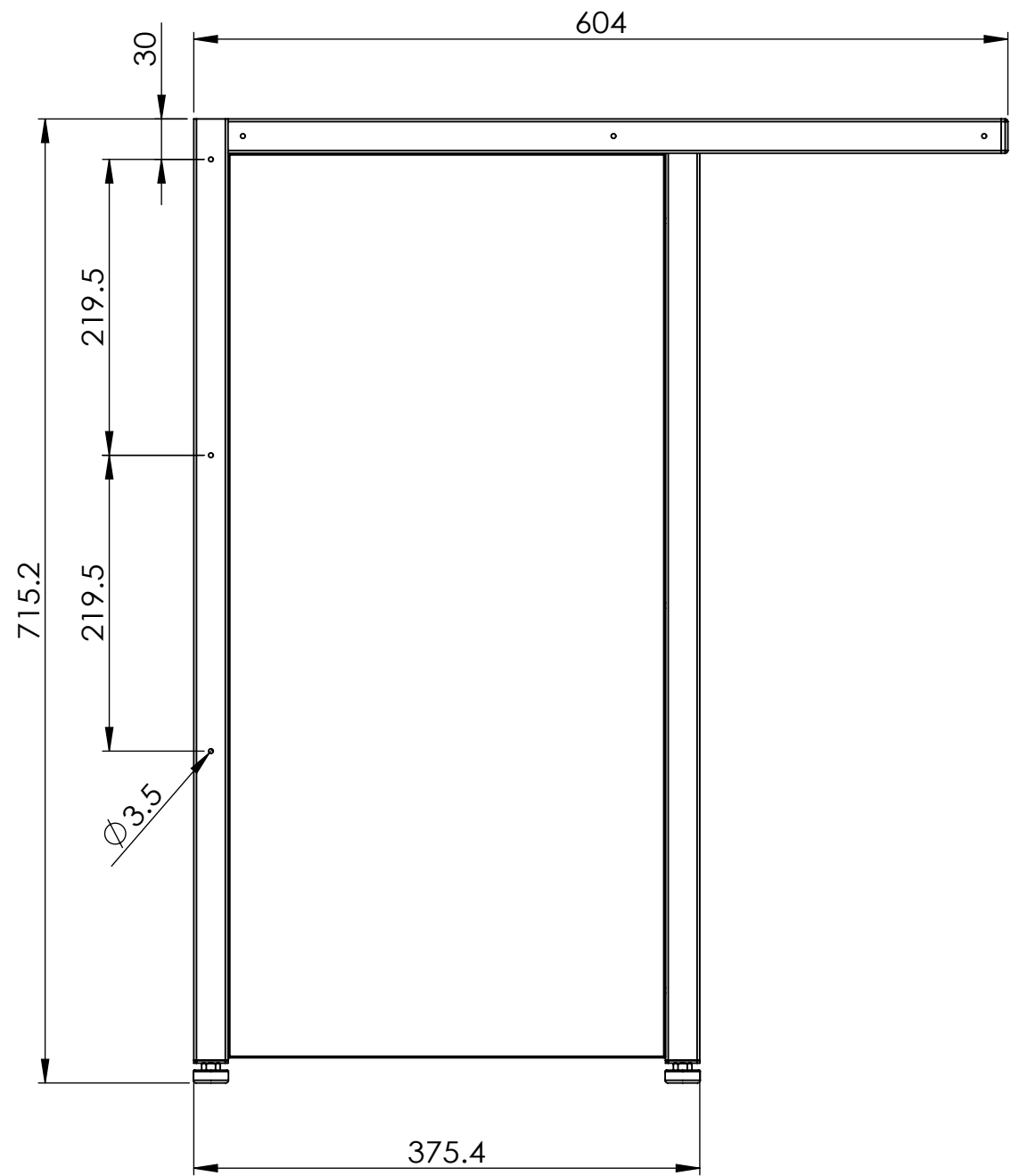
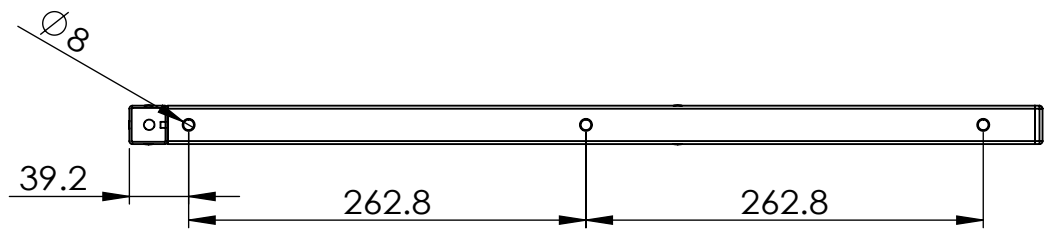
	NAME	DATE	ANN YANG INC. TEL:03-5688179 FAX:03-5689119	
DRAWN	<i>Kennedy</i>	2019/3/21	TITLE:	
CHECKED			RMP-585x499	
ENG APPR.			SIZE	DWG. NO.
MFG APPR.			B	AN501-585499
Q.A.			SCALE: 1:7	WEIGHT:
MATERIAL		COMMENTS:		SHEET 1 OF 1
FINISH		1. CHECK DIMENSIONS		
POWDER COATING		2. REMOVE ALL SHARP EDGE & BURRS.		
DO NOT SCALE DRAWING				



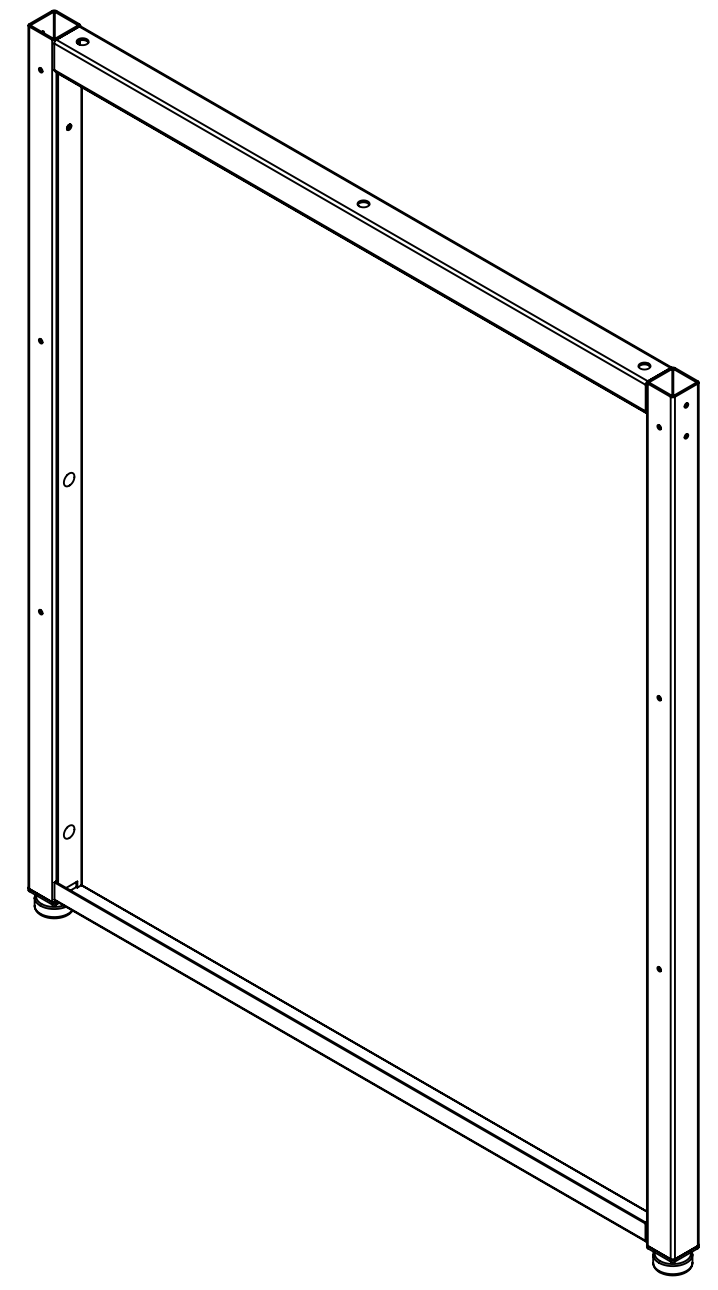
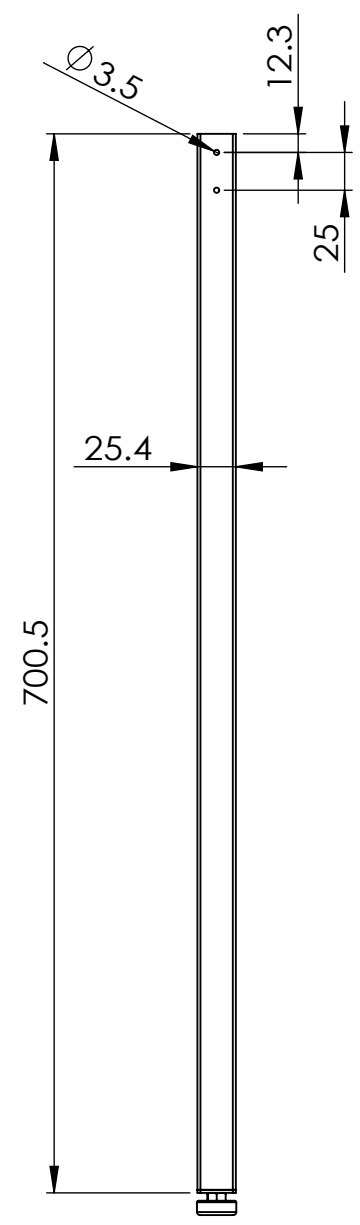
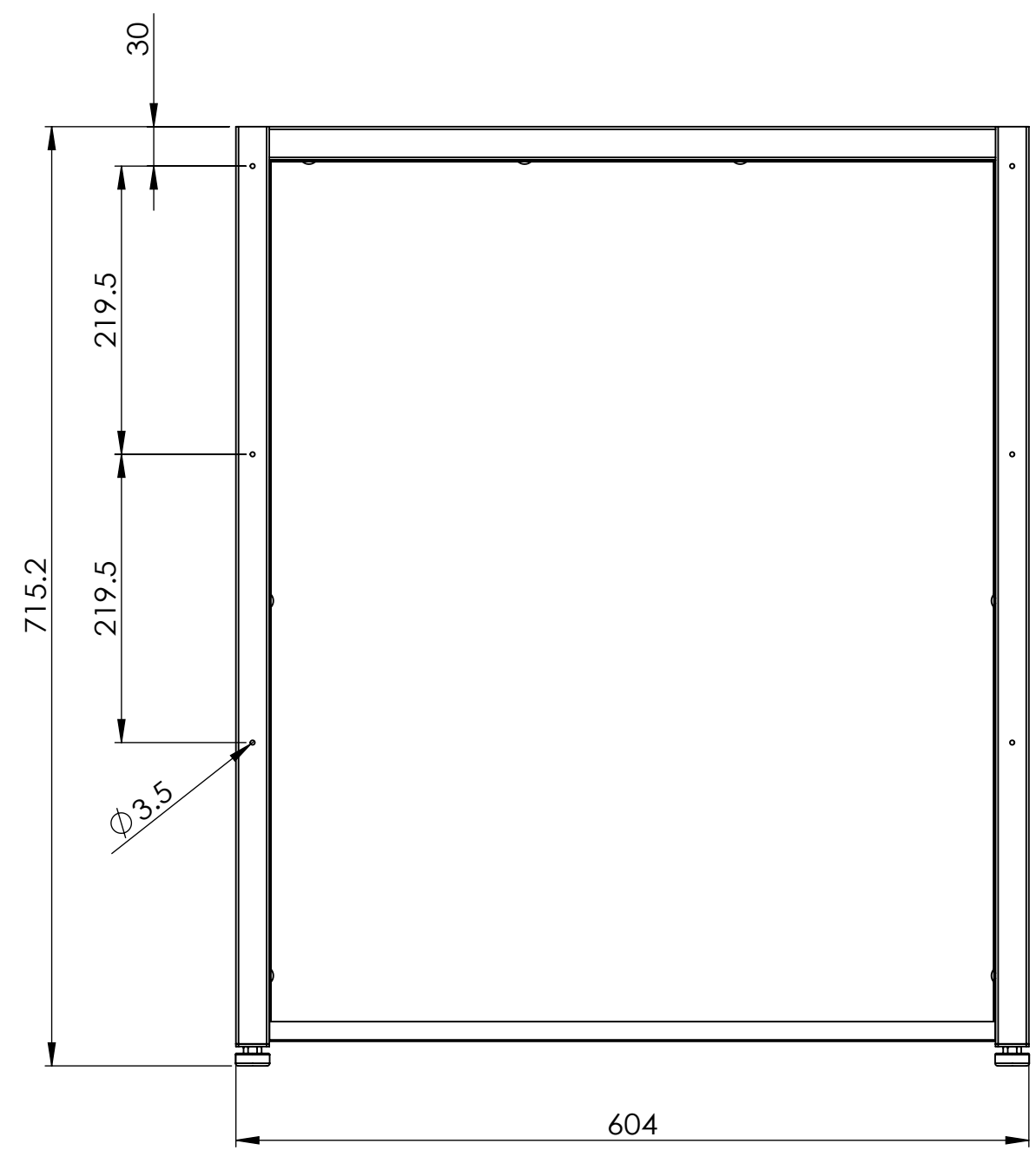
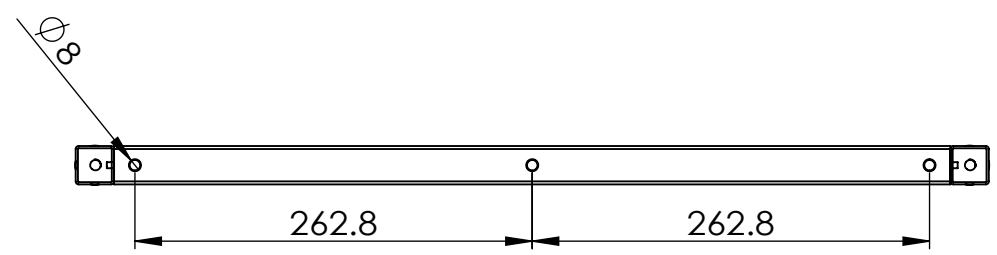
剖面圖 B-B

剖面圖 A-A

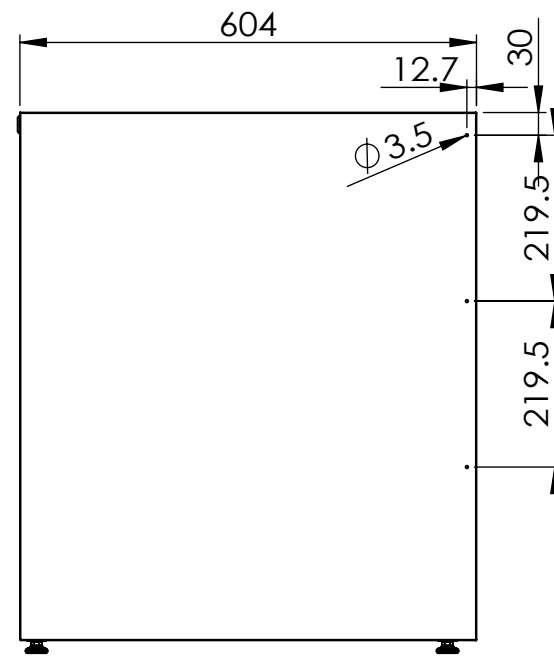
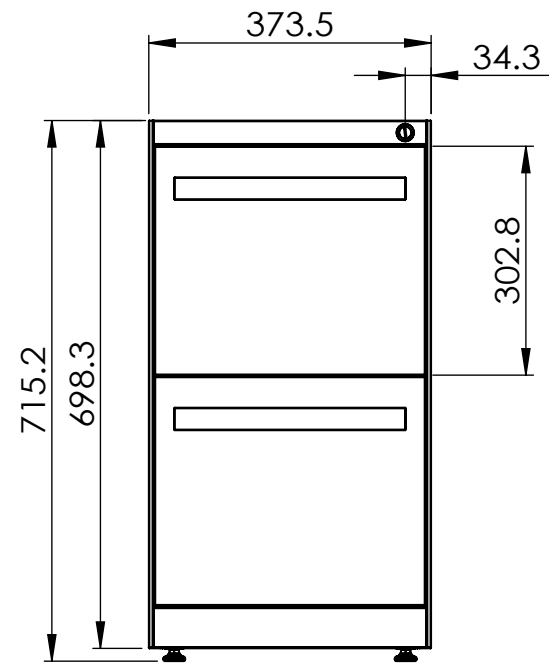
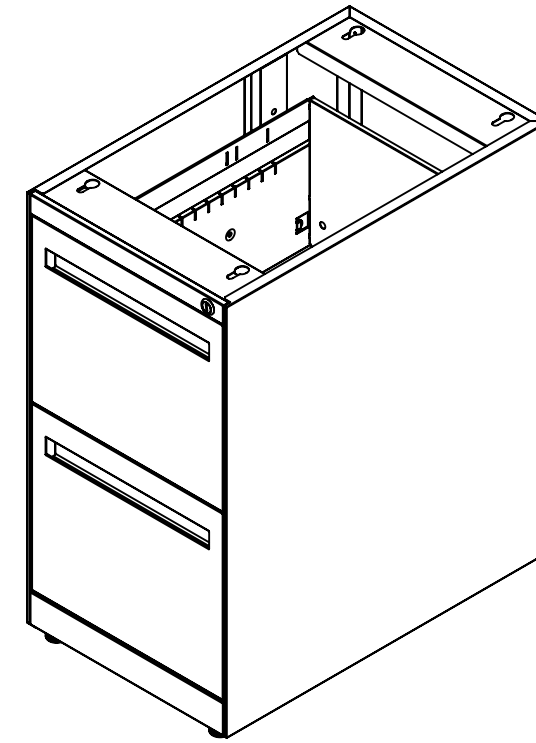
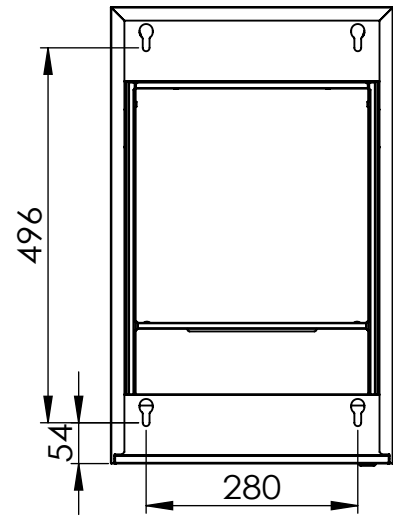
	NAME	DATE	ANN YANG INC.		TEL:03-5688179 FAX:03-5689119
DRAWN	<i>Kennedy</i>	2019/3/21	TITLE:		
CHECKED			MP-1425.5x499		
ENG APPR.					
MATERIAL	MFG APPR.		SIZE	DWG. NO.	
FINISH	Q.A.		B	AN501-1425499	
POWDER COATING	COMMENTS: 1. CHECK DIMENSIONS 2. REMOVE ALL SHARP EDGE & BURRS.				
DO NOT SCALE DRAWING			SCALE: 1:10	WEIGHT:	SHEET 1 OF 1



MATERIAL		NAME		DATE		ANN YANG INC.		TEL:03-5688179 FAX:03-5689119	
FINISH		DRAWN		2019/3/21		TITLE:		Clear Leg L	
DO NOT SCALE DRAWING		POWDER COATING		COMMENTS:		SIZE		DWG. NO.	
				1. CHECK DIMENSIONS		B		AN602-000-CLL	
				2. REMOVE ALL SHARP EDGE & BURRS.		SCALE: 1:5		WEIGHT:	
								SHEET 1 OF 1	



MATERIAL		NAME		DATE		ANN YANG INC.		TEL:03-5688179 FAX:03-5689119	
FINISH		DRAWN		2019/3/21		TITLE:		24 End Panel	
DO NOT SCALE DRAWING		CHECKED		ENG APPR.		MFG APPR.		Q.A.	
POWDER COATING		COMMENTS:		1. CHECK DIMENSIONS		SIZE		DWG. NO.	
		2. REMOVE ALL SHARP EDGE & BURRS.				B		AN602-000-24	
		SCALE: 1:5		WEIGHT:		SHEET 1 OF 1			



	NAME	DATE	ANN YANG INC.		TEL:03-5688179 FAX:03-5689119
DRAWN	<i>Kennedy</i>	2019/3/21	TITLE:		
CHECKED			RP24FF		
ENG APPR.					
MATERIAL	MFG APPR.		SIZE	DWG. NO.	
FINISH	Q.A.		B	AN105-001-RP24FF	
POWDER COATING	COMMENTS: 1. CHECK DIMENSIONS 2. REMOVE ALL SHARP EDGE & BURRS.			SCALE: 1:10	WEIGHT:
DO NOT SCALE DRAWING					