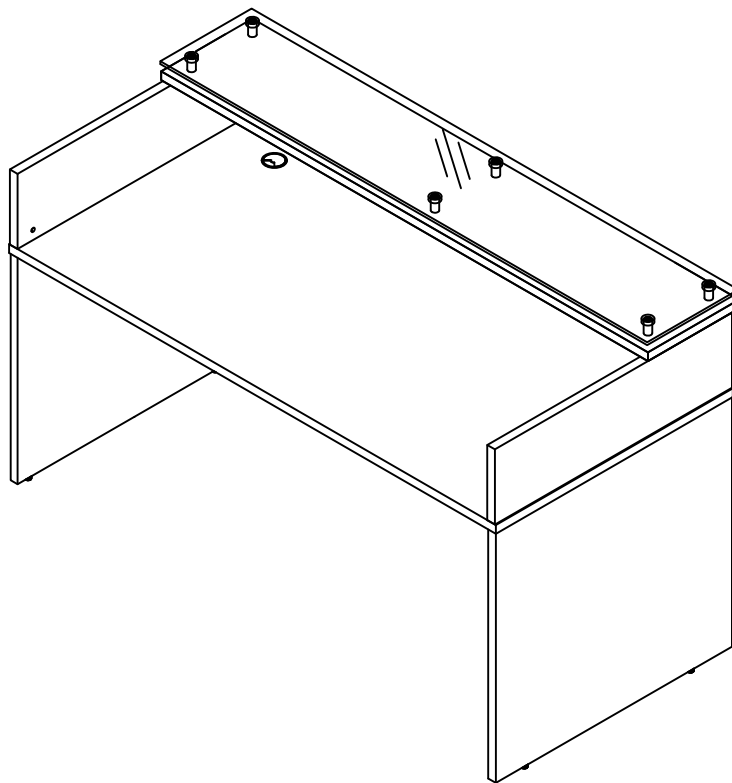
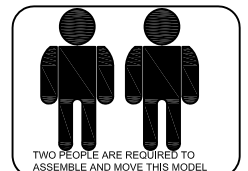















COMPACT GLASS TOP RECEPTION DESK Assembly Instructions



NRC1275M

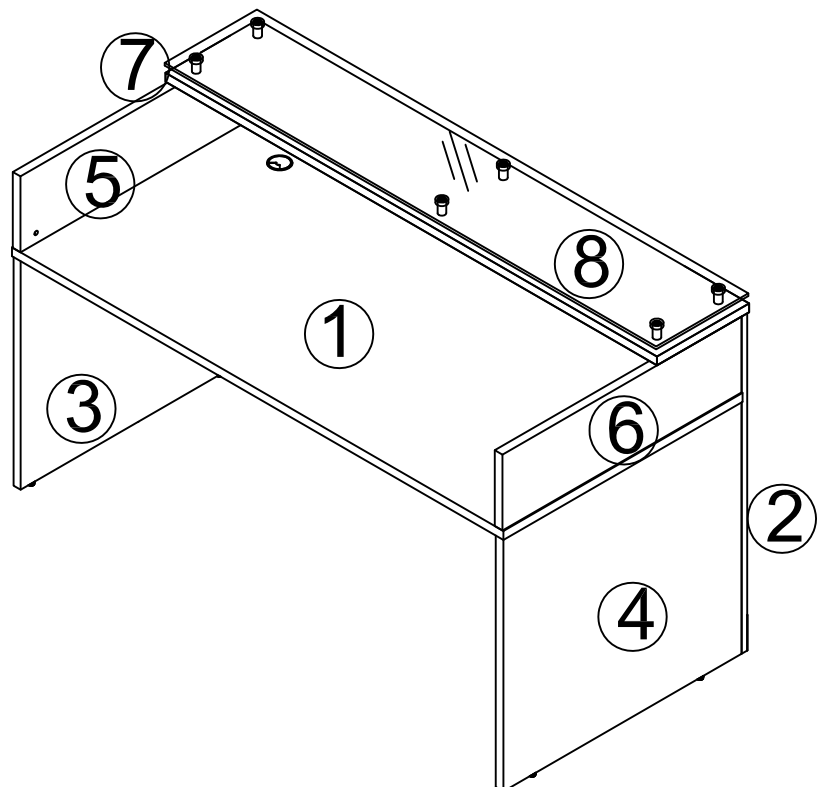


Assembly Hardware

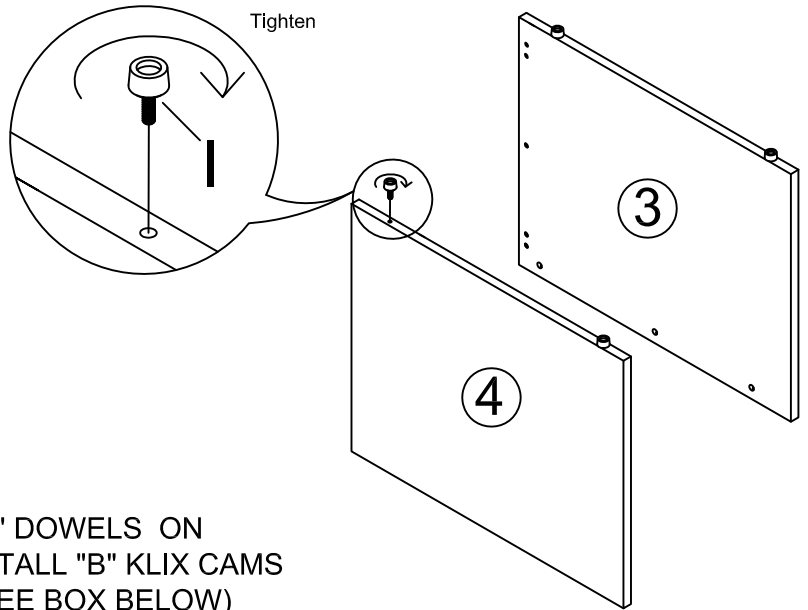
S/N	PICTURE	NAME	QTY	UNIT	REMARK
A		Cam Screw	26+1	PCS	
B		Klix Cam	26+1	PCS	
C		Cam Cover	26+1	PCS	
D		Dowel	18+1	PCS	
E		Grommet	2	PCS	
F		Screw #10*40	6	PCS	
G		Cushion	6	PCS	
H		Screw	6	PCS	
I		Leveler	4	PCS	
J		L-bracket	5	PCS	
K		Ø4*16 Screw	30	PCS	

COMPONENT LIST

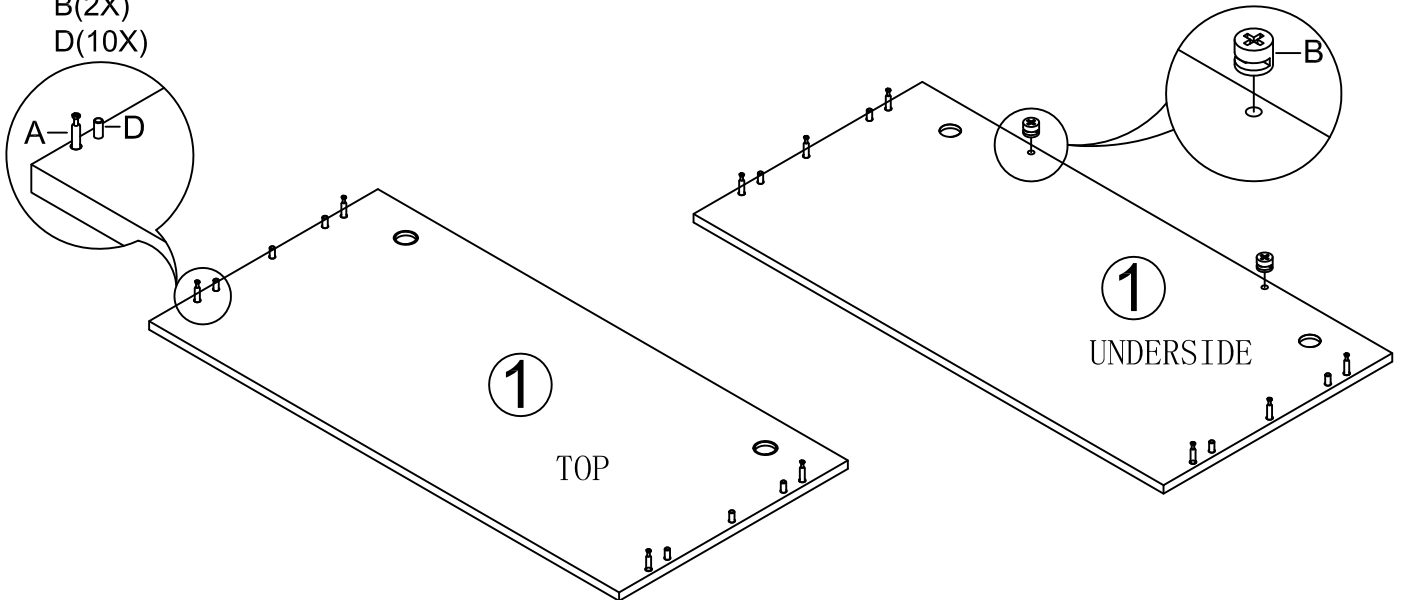
- ① DESK TOP
- ② FRONT PANEL
- ③④ SIDE PANELS
- ⑤⑥ DESK SIDE PANELS
- ⑦ COUNTER TOP
- ⑧ GLASS TRANSACTION TOP



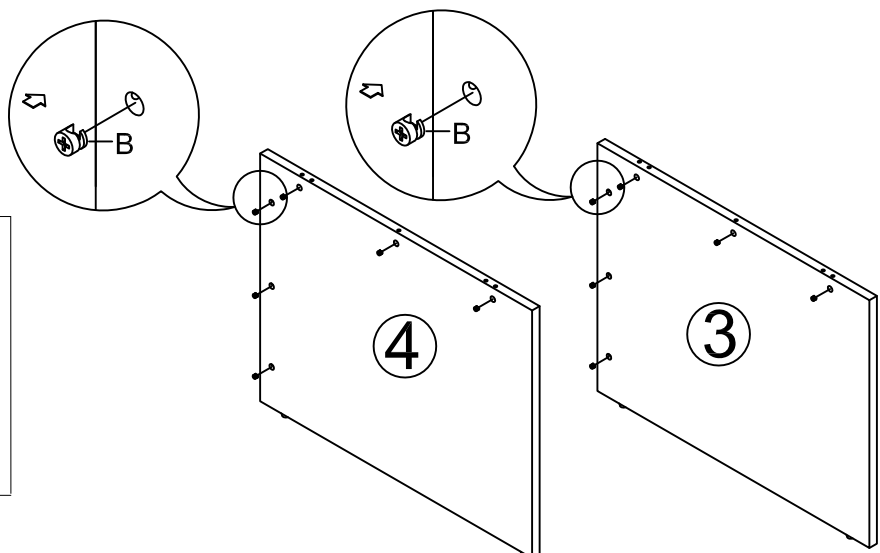
1. INSTALL "I" LEVELERS ON THE BOTTOM OF ③ & ④.
I(4X)



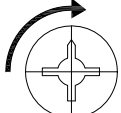
2. INSTALL "A" CAM SCREWS AND "D" DOWELS ON BOTH SIDES OF TOP ①. THEN INSTALL "B" KLIX CAMS ON THE UNDERSIDE OF TOP ①. (SEE BOX BELOW)
A(10X)
B(2X)
D(10X)



3. INSERT "B" KLIX CAMS TO SIDE PANELS ③ & ④.
B(12X)



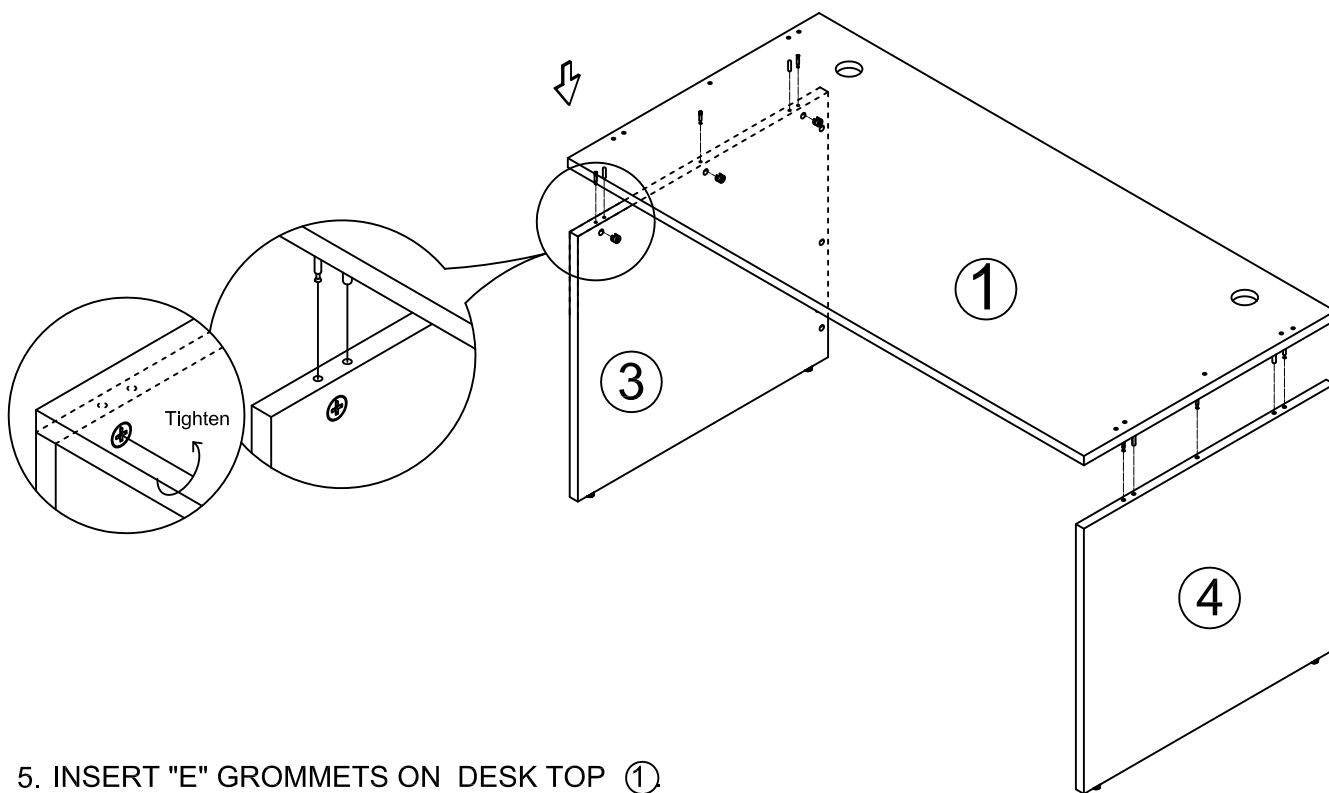
IMPORTANT:
FUNCTION OF KLIX CAM



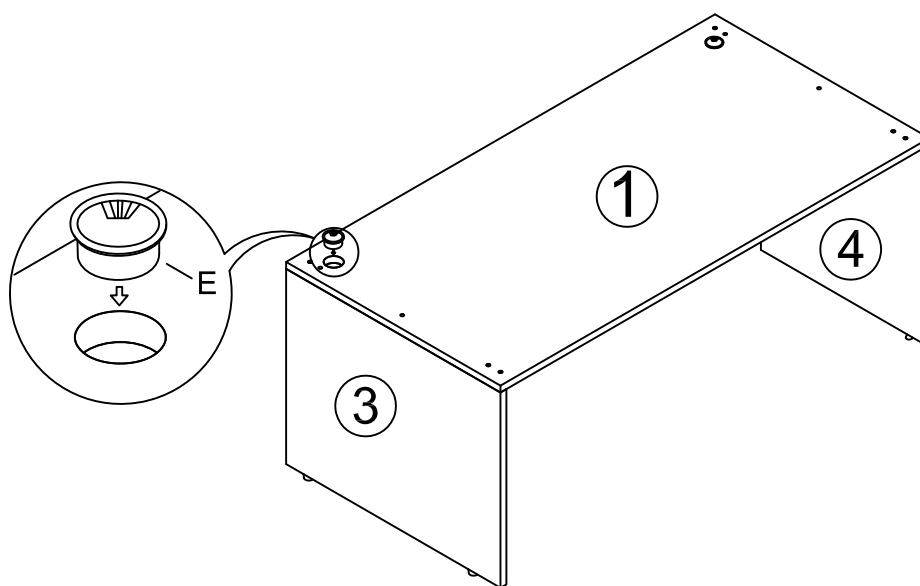
1/4 RIGHT TURN FOR LOCKING

MAKE SURE THE ARROW IS POINTING UPWARDS BEFORE INSERTING INTO THE PANELS HOLE

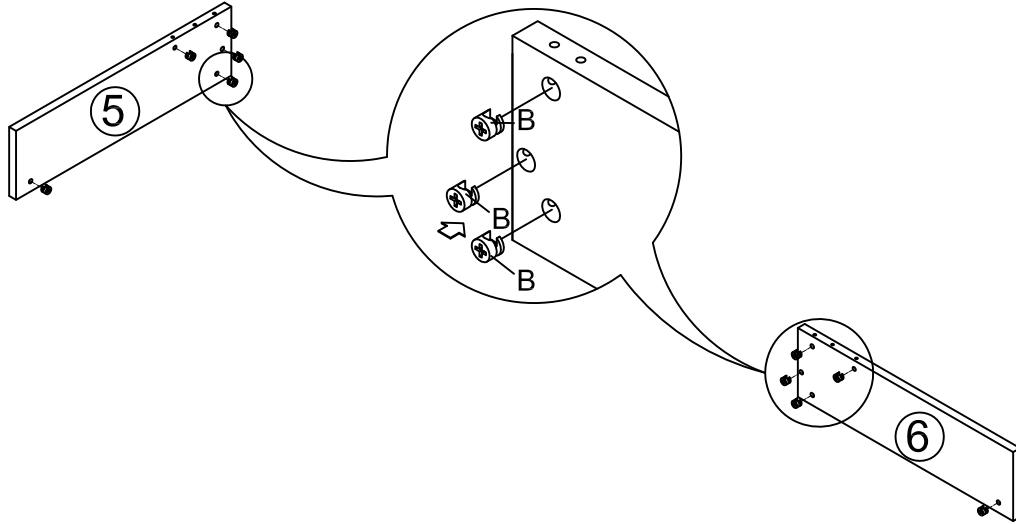
4. CONNECT TOP ① TO SIDE PANELS ③ & ④ USING ALREADY INSTALLED "B" KLIX CAMS , "A" CAM SCREWS AND "D" DOWELS.



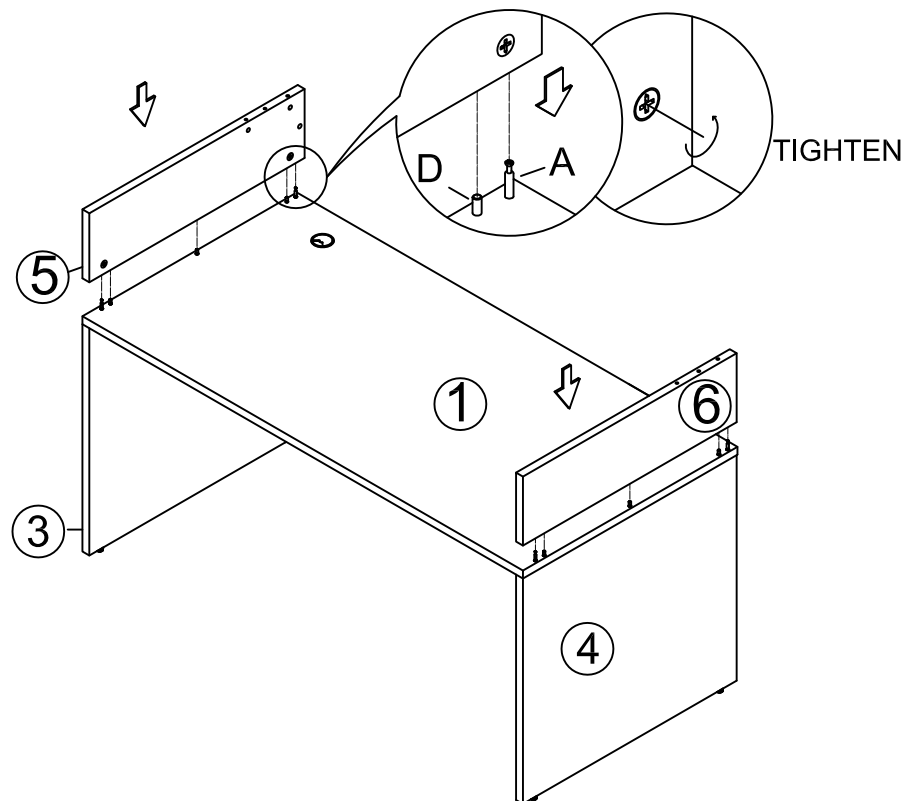
5. INSERT "E" GROMMETS ON DESK TOP ①
E(2X)



6. INSERT "B" KLIX CAMS TO SIDE PANELS ⑤ & ⑥.
B(10X)

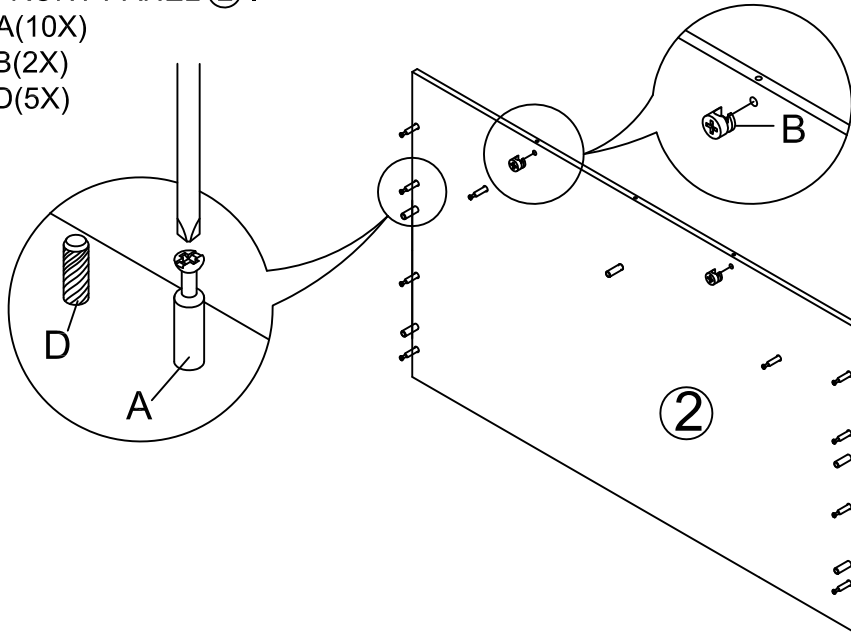


7. CONNECT SIDE PANELS ⑤ & ⑥ TO DESK TOP ① USING ALREADY INSTALLED "B" KLIX CAMS , "A" CAM SCREWS AND "D" DOWELS.

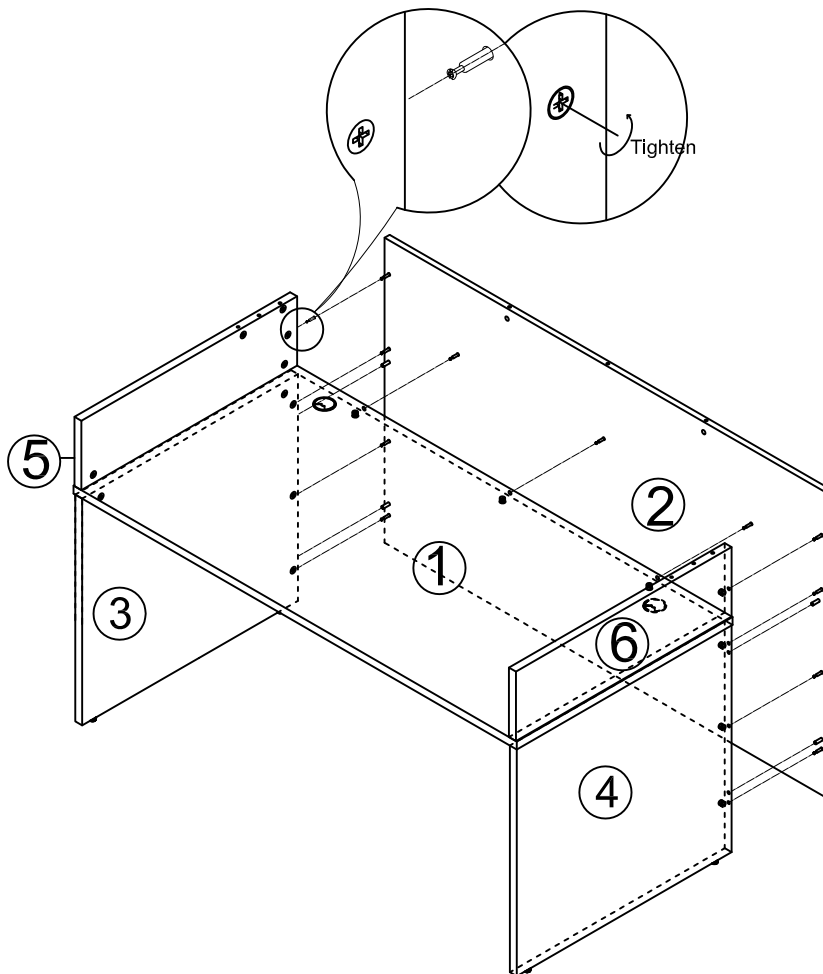


8. INSTALL "A" CAM SCREWS, "D" DOWELS AND "B" KLIX CAMS TO FRONT PANEL ② .

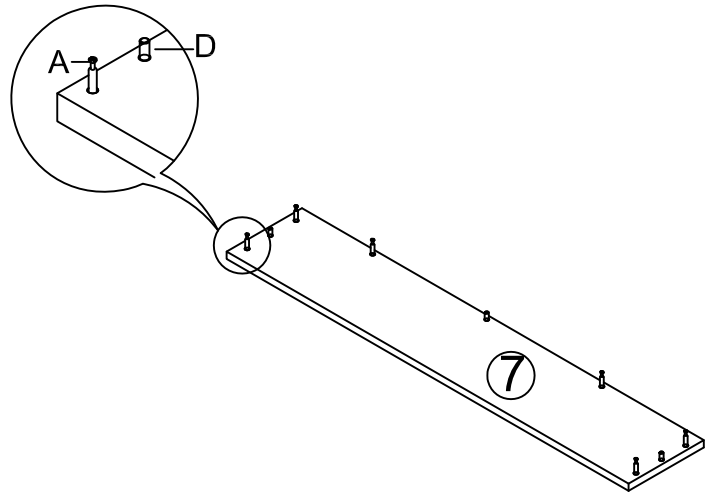
A(10X)
B(2X)
D(5X)



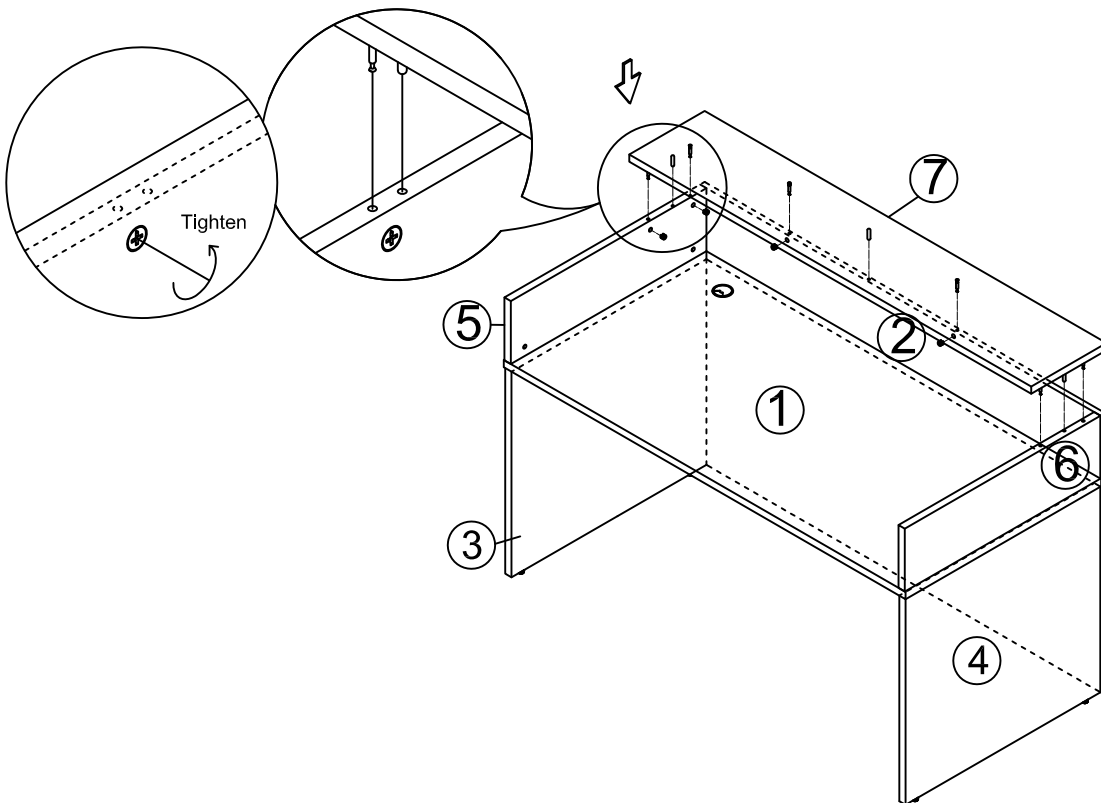
9. CONNECT FRONT PANEL ② TO ① ③ ④ ⑤ ⑥ USING ALREADY INSTALLED "B" KLIX CAMS , "A" CAM SCREWS AND "D" DOWELS .



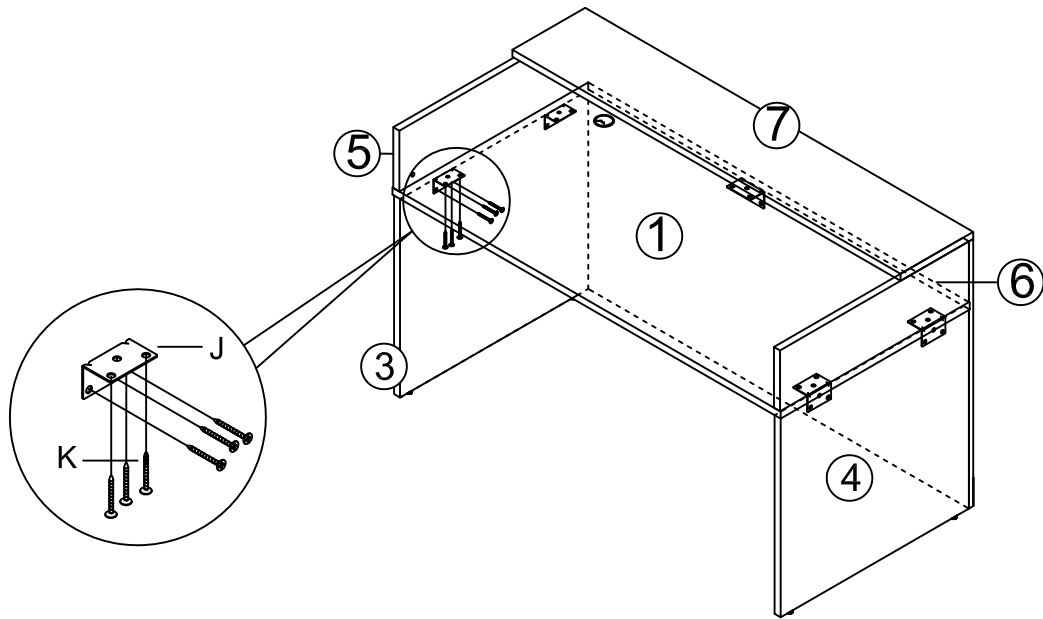
10. INSTALL "A" CAM SCREWS AND "D" DOWELS TO THE UNDER SIDE OF COUNTER TOP ⑦.
A(6X)
D(3X)



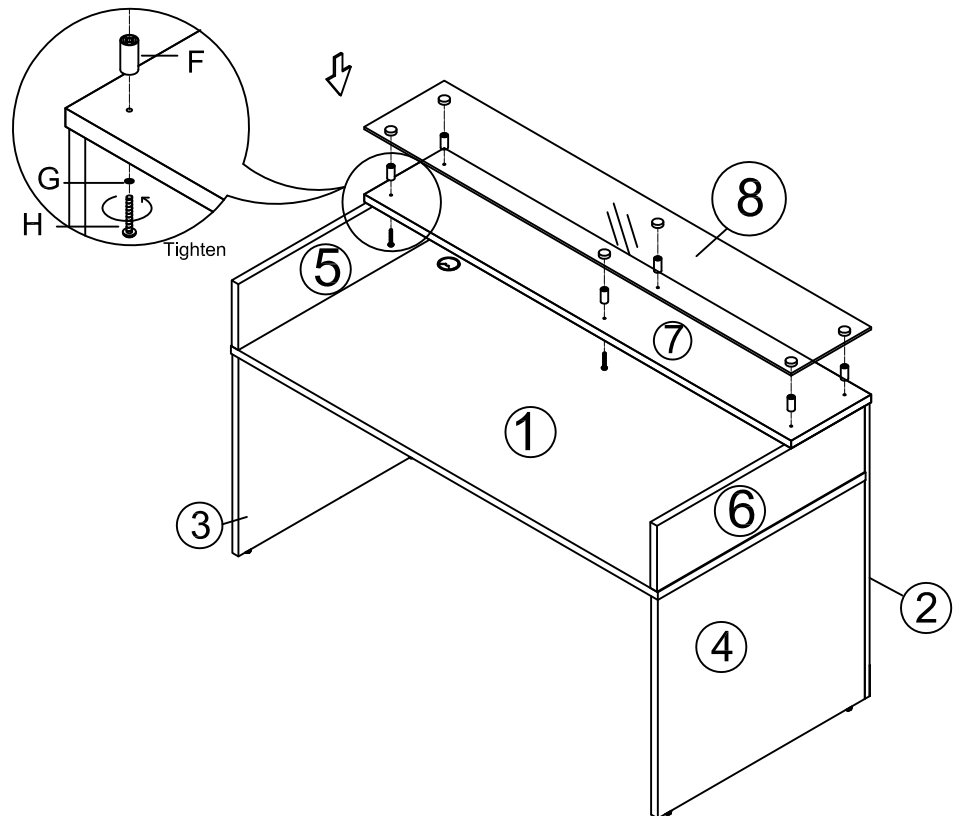
11. CONNECT COUNTER TOP ⑦ TO PANELS ② ⑤ & ⑥ USING ALREADY INSTALLED "B" KLIX CAMS , "A" CAM SCREWS AND "D" DOWELS .



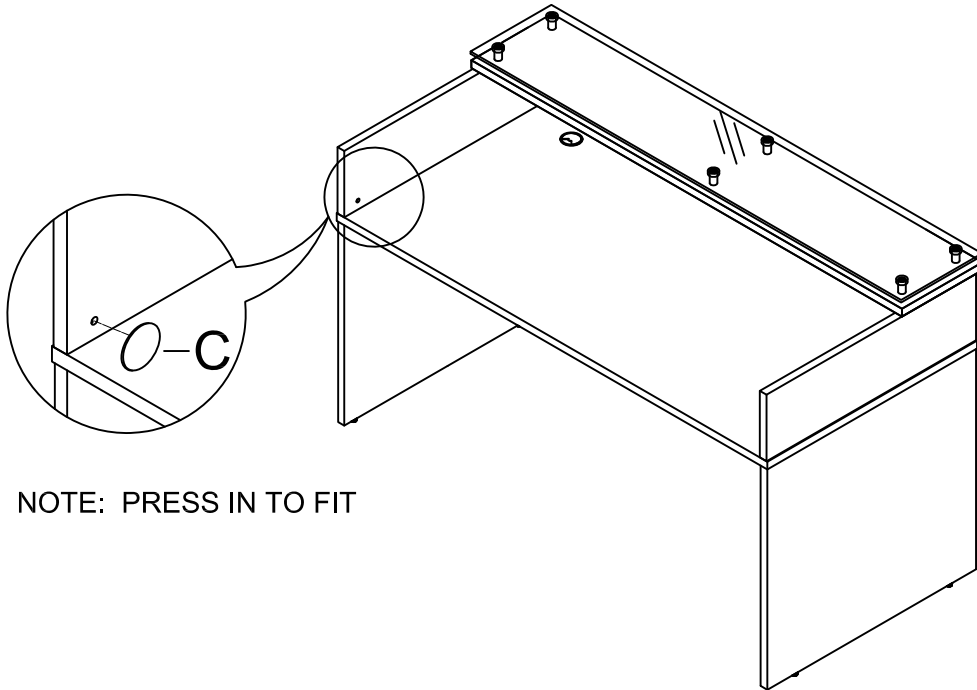
12. INSTALL "J" L BRACKET UNDER THE DESK TOP ① USING "K" SCREWS.
J(5X)
K(30X)



13. CONNECT GLASS TRANSACTION TOP ⑧ TO COUNTER TOP ⑦ USING "F" SCREWS,
"G" CUSHIONS AND "H" SCREWS .
F(6X)
G(6X)
H(6X)



14. COVER ALL "B" KLIX CAMS WITH "C" CAM COVERS.
C(26X)



NOTE: PRESS IN TO FIT

COMPLETED ASSEMBLY

