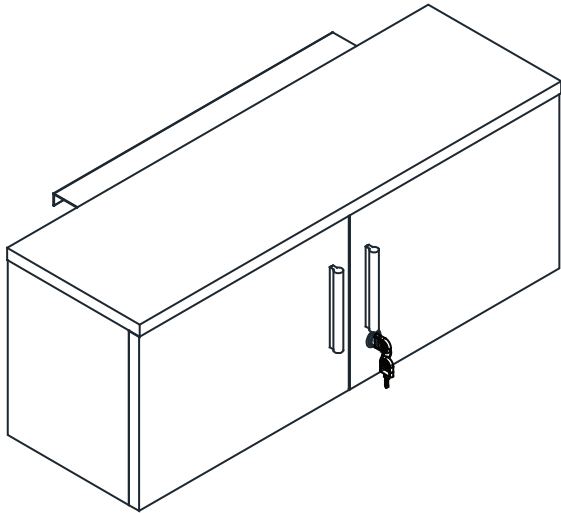
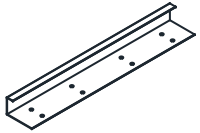


Congratulations on the purchase of your new *Signature Series* product!



HARDWARE & TOOLS

(A) Hook up- 1pc



(B) Screw M3.5*16- 8pcs



(C) Key- 1set



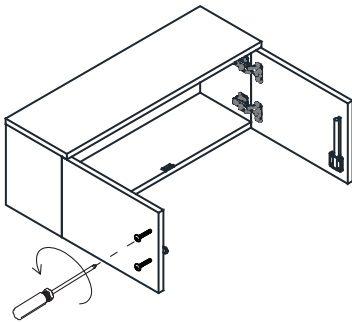
Tools Required for Assembly



Philips Screw Driver

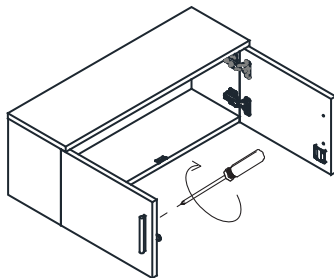
INSTRUCTIONS

STEP 1



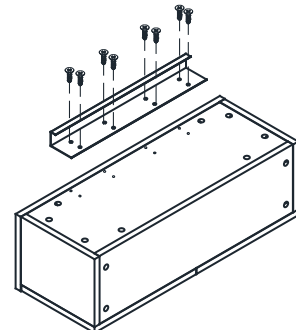
Take off the handles from back panel.

STEP 2



Install the handles on the front.

STEP 3



Assemble the hook on the backplane.