

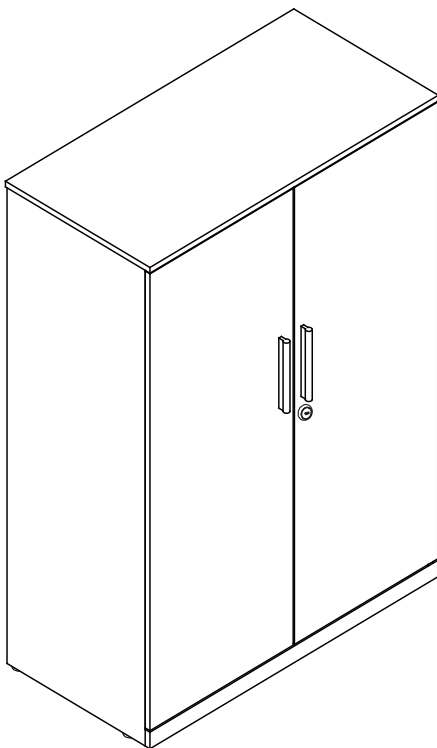


Signature Series

800-558-1010
www.NBF.com

Assembly Instructions

ATWORK 72"H storage cabinet w/ wood doors

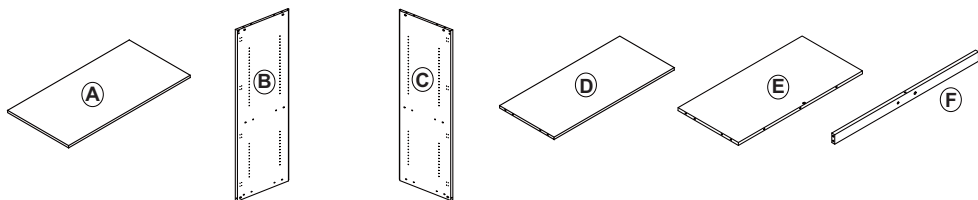


Model# AW-50210

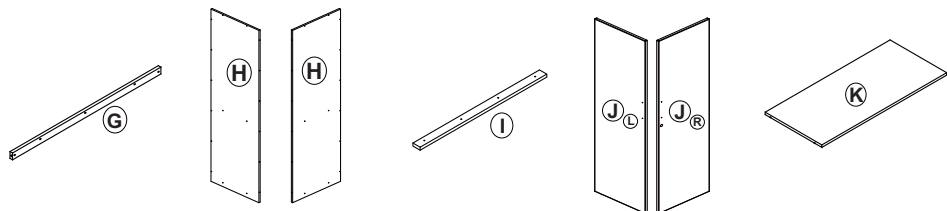
ATWORK 72" H Wall storage cabinet with wood doors Model# AW-50210

Identify all the components

- A. Top-1pc (AW-50209-A) B. Left Side-1pc (AW-50210-B) C. Right Side-1pc (AW-50210-C) D. Shelf-1pc (AW-50209-D) E. Bottom-1pc (AW-50209-E) F. Top Trim-1pc (AW-50209-F)



- G. Bottom Trim-1pc (AW-50209-G) H. Back Panel-2pcs (AW-50210-H) I. Back Panel Support -1pc (AW-50209-I) J. Door-2pcs (AW-50210-J) K. Adjustable Shelf-3pcs (AW-ADJUSTSHELF)



Hardware identification

- Z1. Cam lock-16pcs (AW-CamLock) Z2. Cam bolt-16pcs (AW-Cam-Bolt) Z3. Wood dowel 8*30-18pcs (AW-WoodDowel) Z4. Screw 3.5*14mm-58pcs (AW-PHFWS 3.5*14mmB)



- Z5. Hinge-8pcs (AW-Hinge) Z6. Shelf support-12pcs (AW-Shelf-Pin) Z7. Handle-2pcs (AW-Handle 2) Z8. Bolt-4pcs (AW-RFLAT 4*25mmS)



- Z9. Screw 4*29mm-4pcs (AW-PHFWS 4*29mmB) Z10. Adhesive cover-20pcs (AW-Adh-Cover 2) Z11. Adjustable glide-4pcs (AW-AdjustGlide 2) Z12. Screw 4*25mmR-24pcs (AW-PHRWBS 4*25mmB)



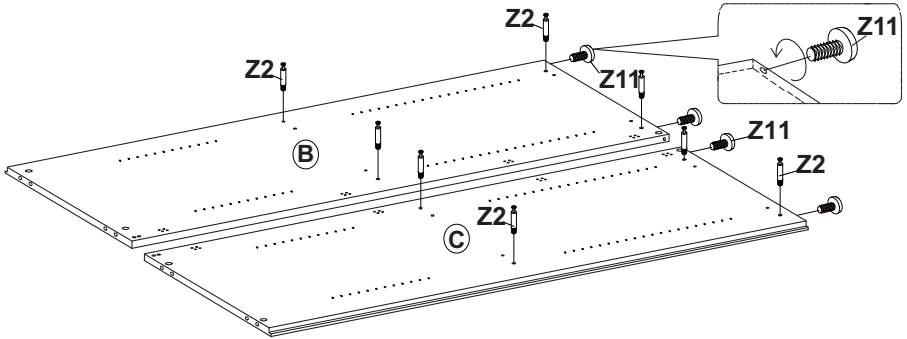
- Z13. Door latch-2pcs (AW-DoorLatch) Z14. Wood dowel 6*30mm-6pcs (AW-WoodDowel 2) Z15. Hanger-4pcs (AW-Wall-Hanger) Z16. Glue-1pc (AW-Glue)



- Z17. Screw 4*25mm-2pcs (AW-PHFWS 4*25mmB) Z18. Stud-2pcs (AW-Stud) Z19. Strip tie-2pcs (AW-Strip tie) Z20. Key-2pcs (AW-Key 3) Z21. EVA Q20-2pcs (AW-EVAPAD-Q20)



Step 1

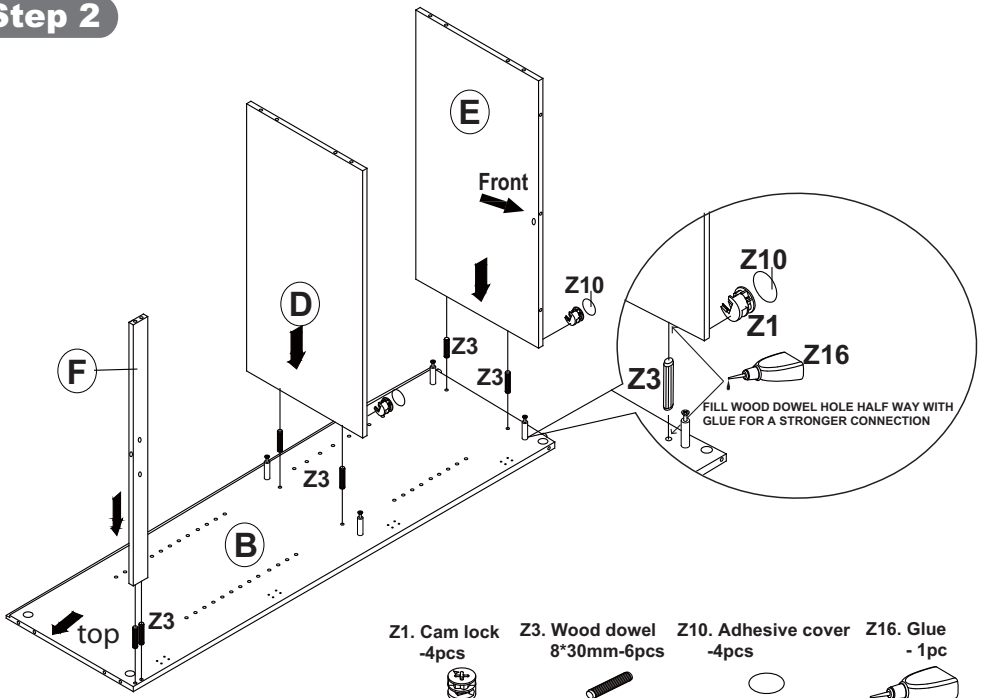


Z2. Cam bolt
-8pcs

Z11. Adjustable glide
-4pcs



Step 2



Z1. Cam lock
-4pcs

Z3. Wood dowel
8*30mm-6pcs

Z10. Adhesive cover
-4pcs

Z16. Glue
- 1pc



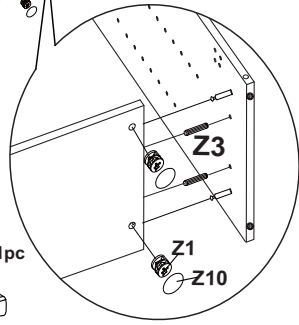
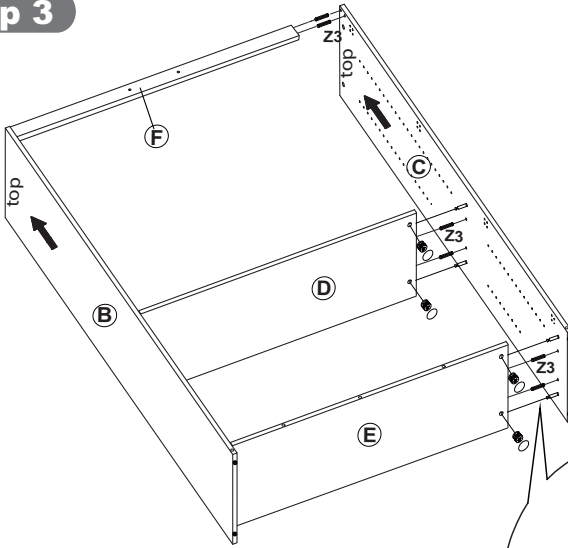
Step 3

Note

Z16



FILL WOOD DOWEL HOLE HALF WAY WITH GLUE FOR A STRONGER CONNECTION



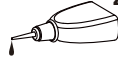
- Z1. Cam lock -4pcs Z3. Wood dowel 8*30mm-6pcs Z10. Adhesive cover -4pcs Z16. Glue-1pc



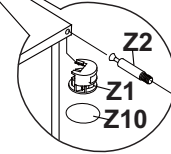
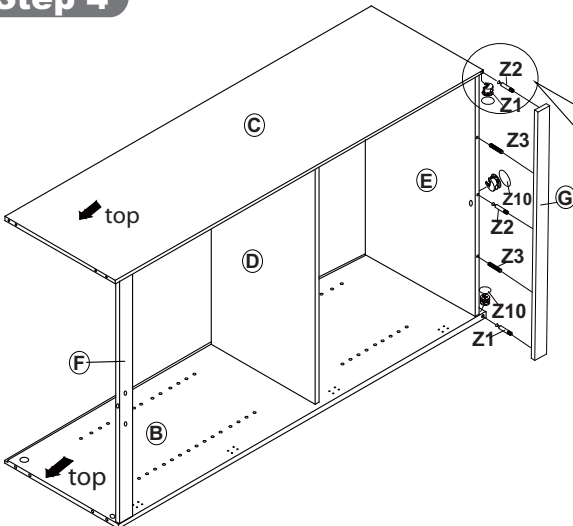
Step 4

Note

Z16



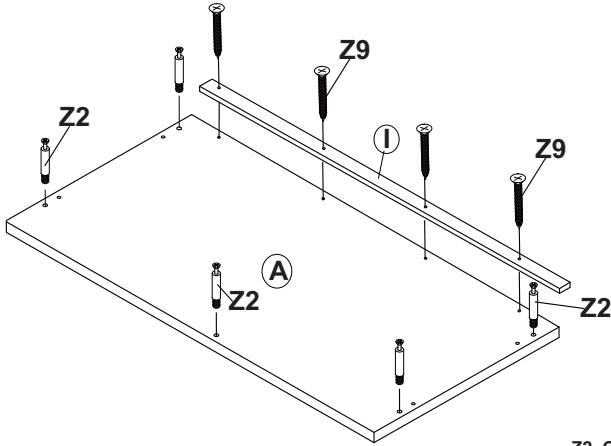
FILL WOOD DOWEL HOLE HALF WAY WITH GLUE FOR A STRONGER CONNECTION



- Z1. Cam lock -3pcs Z2. Cam bolt -3pcs Z3. Wood dowel 8*30mm-2pcs Z10. Adhesive cover -3pcs Z16. Glue-1pc



Step 5



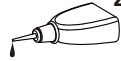
Z2. Cam bolt -5pcs Z9. Screw 4*29mm -4pcs



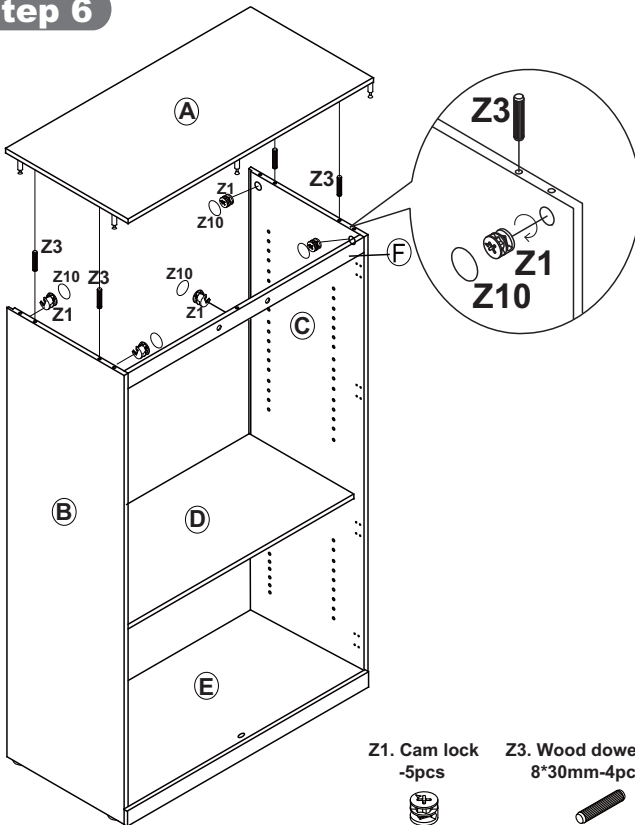
Step 6

Note

Z16



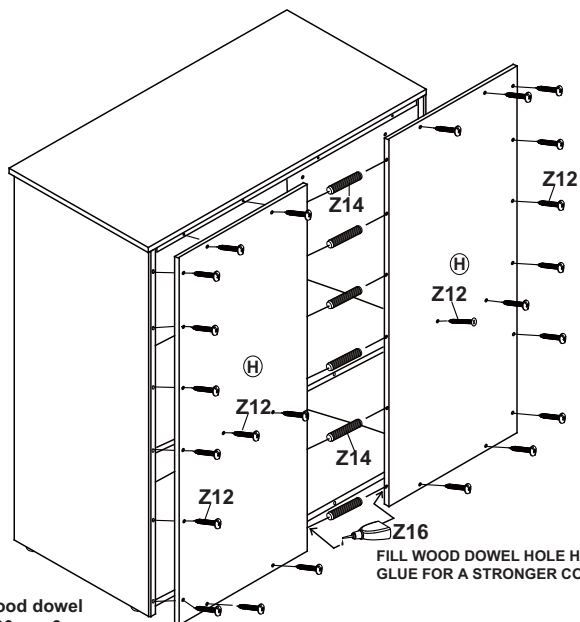
FILL WOOD DOWEL HOLE HALF WAY WITH GLUE FOR A STRONGER CONNECTION



Z1. Cam lock -5pcs Z3. Wood dowel 8*30mm-4pcs Z10. Adhesive cover -5pcs Z16. Glue-1pc



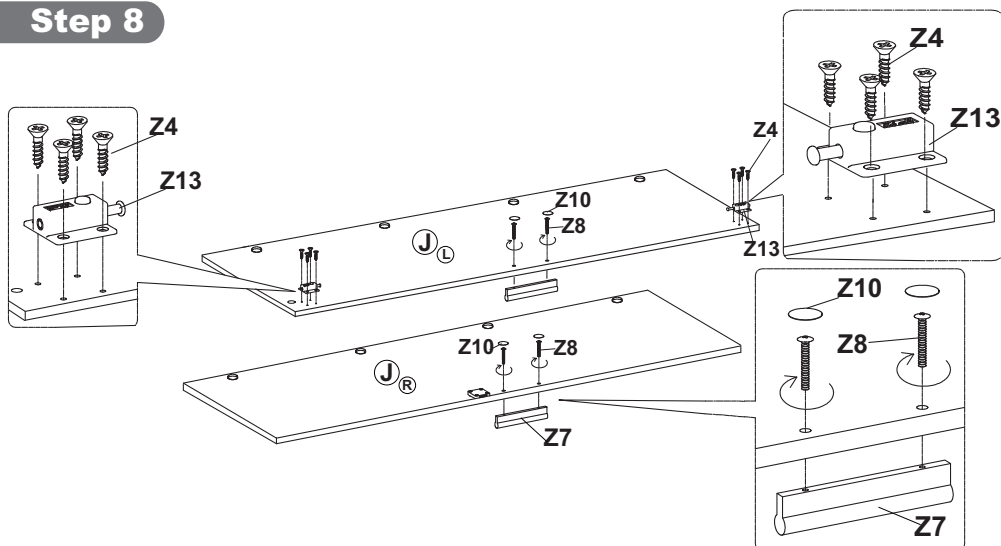
Step 7



- Z12. Screw 4*25mmR -24pcs
 Z14. Wood dowel 6*30mm-6pcs



Step 8



- Z4. Screw 3.5*14mm -8pcs
 Z7. Handle- 2pcs
 Z8. Bolt- 4pcs
 Z10. Adhesive cover - 4pcs
 Z13. Door latch-2pcs

