

ASSEMBLY INSTRUCTIONS






aspenhome

Distributed by Furniture Values International, LLC

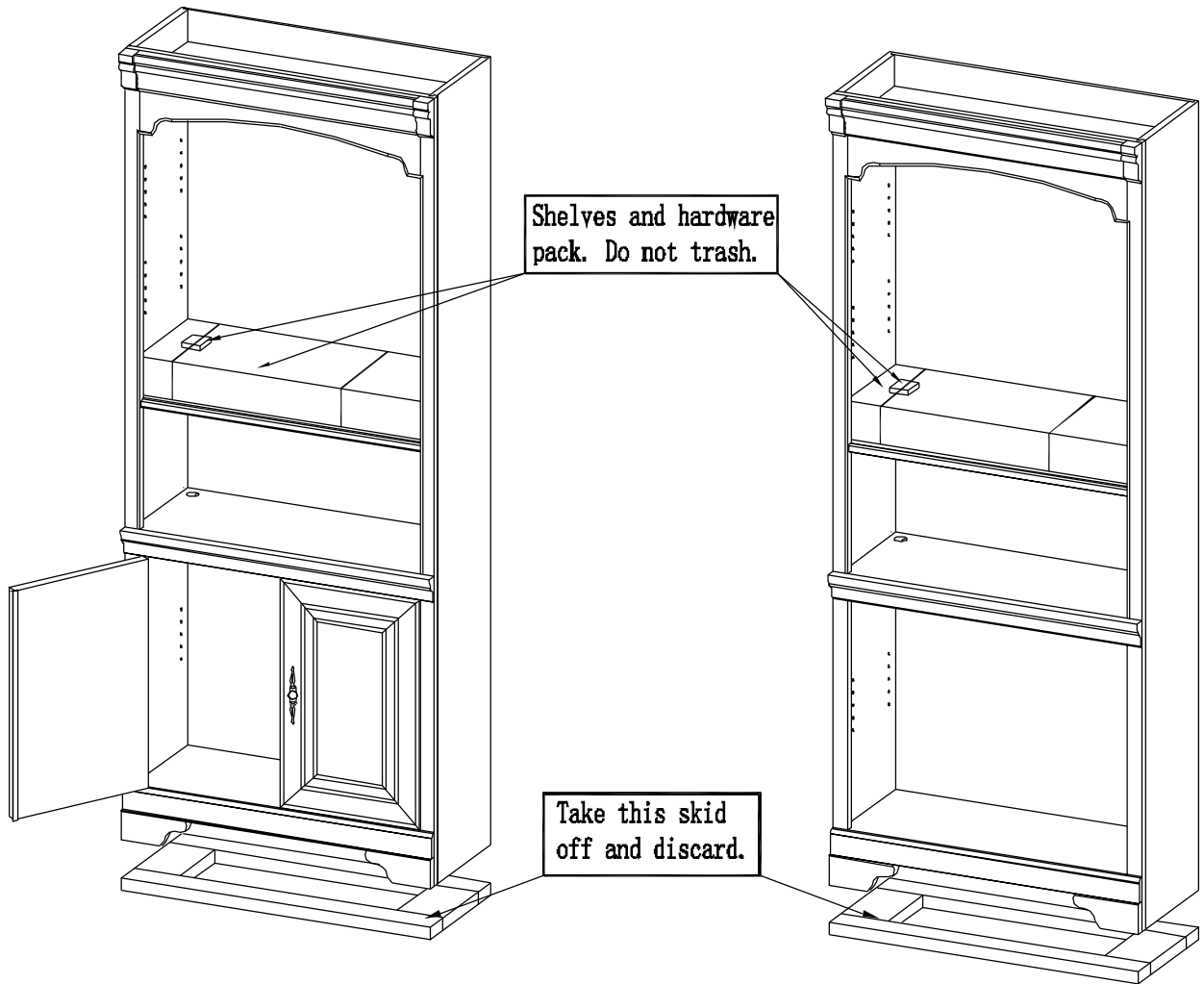
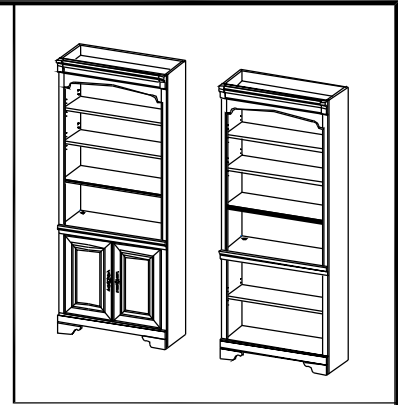
ITEM NO: I40-332 & 333 Door Bookcase & Open Bookcase

HARDWARE PACK

	Shelf Bracket	12 Pcs
	U bracket	1 Pc
	Long Screw	2 Pcs

COMPONENT LIST

Shelf	3 Pcs
-------	-------



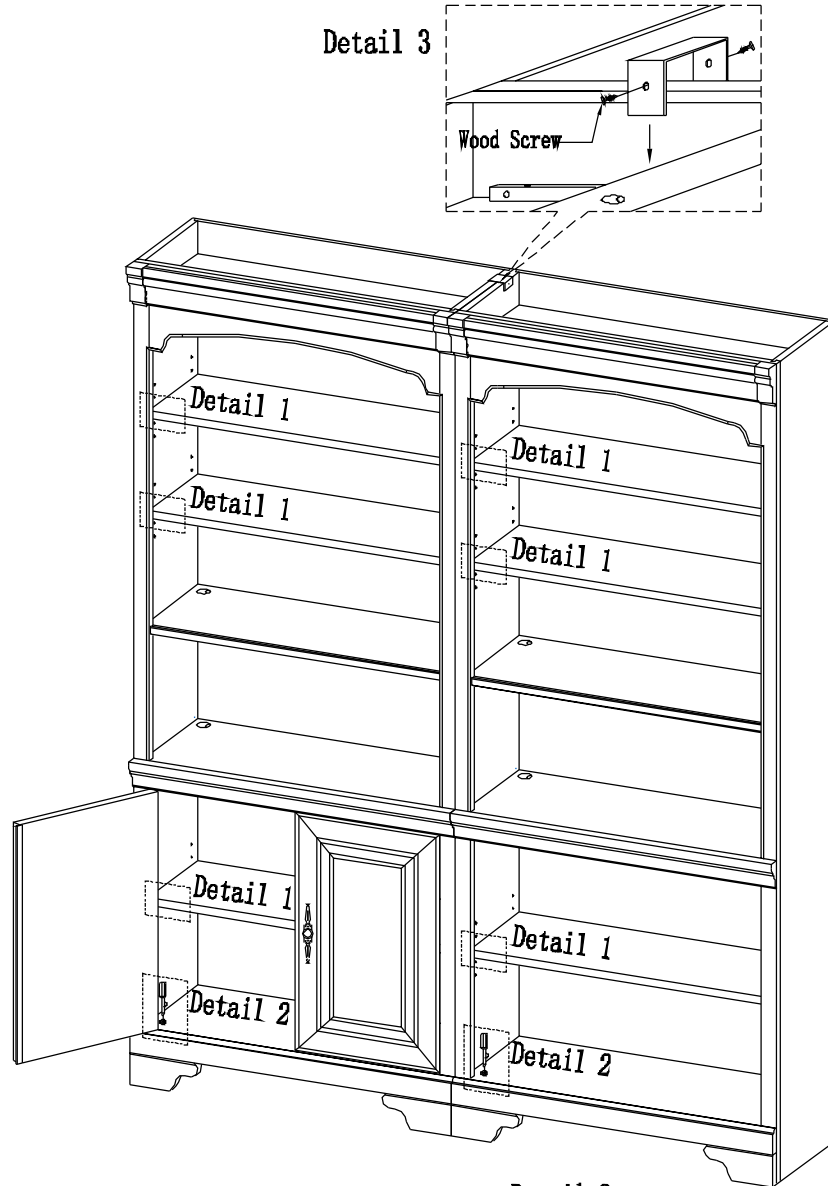
ASSEMBLY INSTRUCTIONS



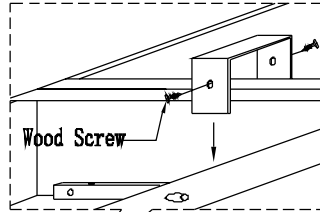
aspenhome

Distributed by Furniture Values International, LLC

ITEM NO: I40-332 & 333 Door Bookcase & Open Bookcase

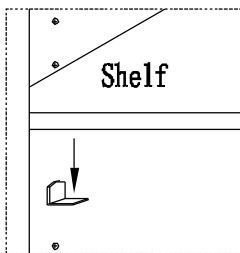


Detail 3



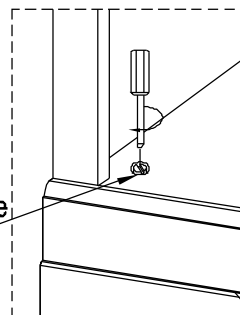
Wood Screw

Detail 1



Shelf

Detail 2



Adjustable leveler