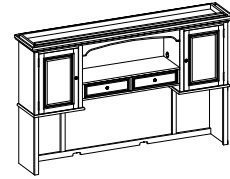


ASSEMBLY INSTRUCTIONS

ah

aspenhome®

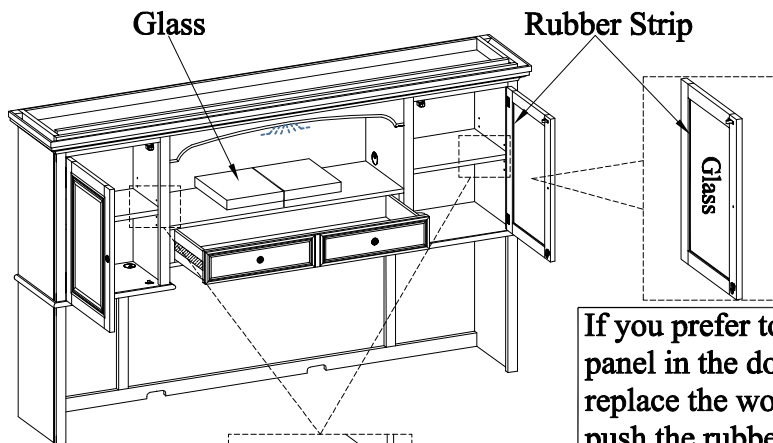
Distributed by Furniture Values International, LLC



ITEM NO: I24-319 74" Credenza Hutch

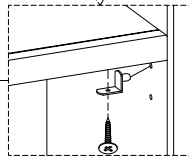
COMPONENT LIST

Glass	2 Pcs
-------	-------



If you prefer to use glass instead of wood panel in the door, remove rubber strip and replace the wood panel with glass. Then push the rubber strip into the door frame around the glass.

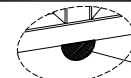
Detail 1



When you prefer to adjust the location of shelf, take off screws and reinsert the shelf brackets into the holes. Then place the shelf on and re-securing it.

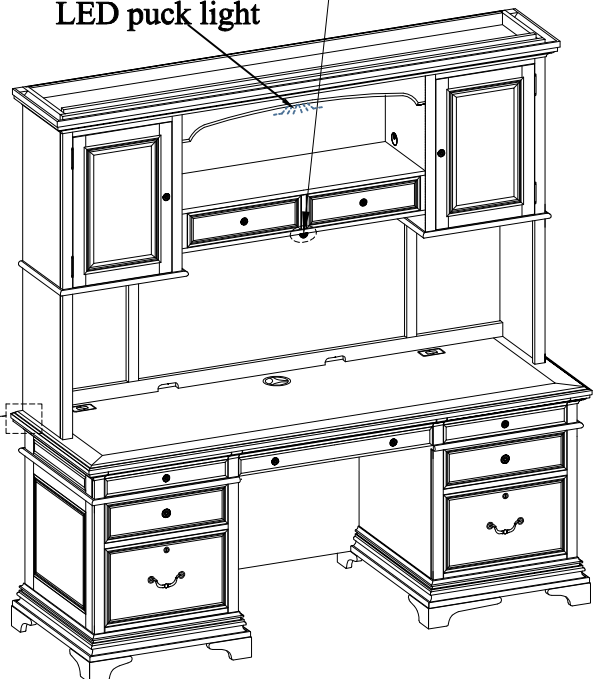
Detail 3

Push the touch switch to turn on or off or adjust the lighting.



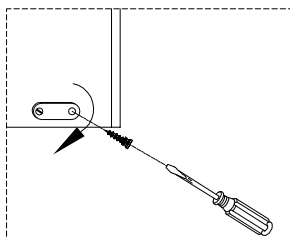
Touch switch

LED puck light



Detail 2

Take off one screw from each mounting plate and swing it to the proper location on the base before re-securing it with the screw.



MADE IN VIETNAM