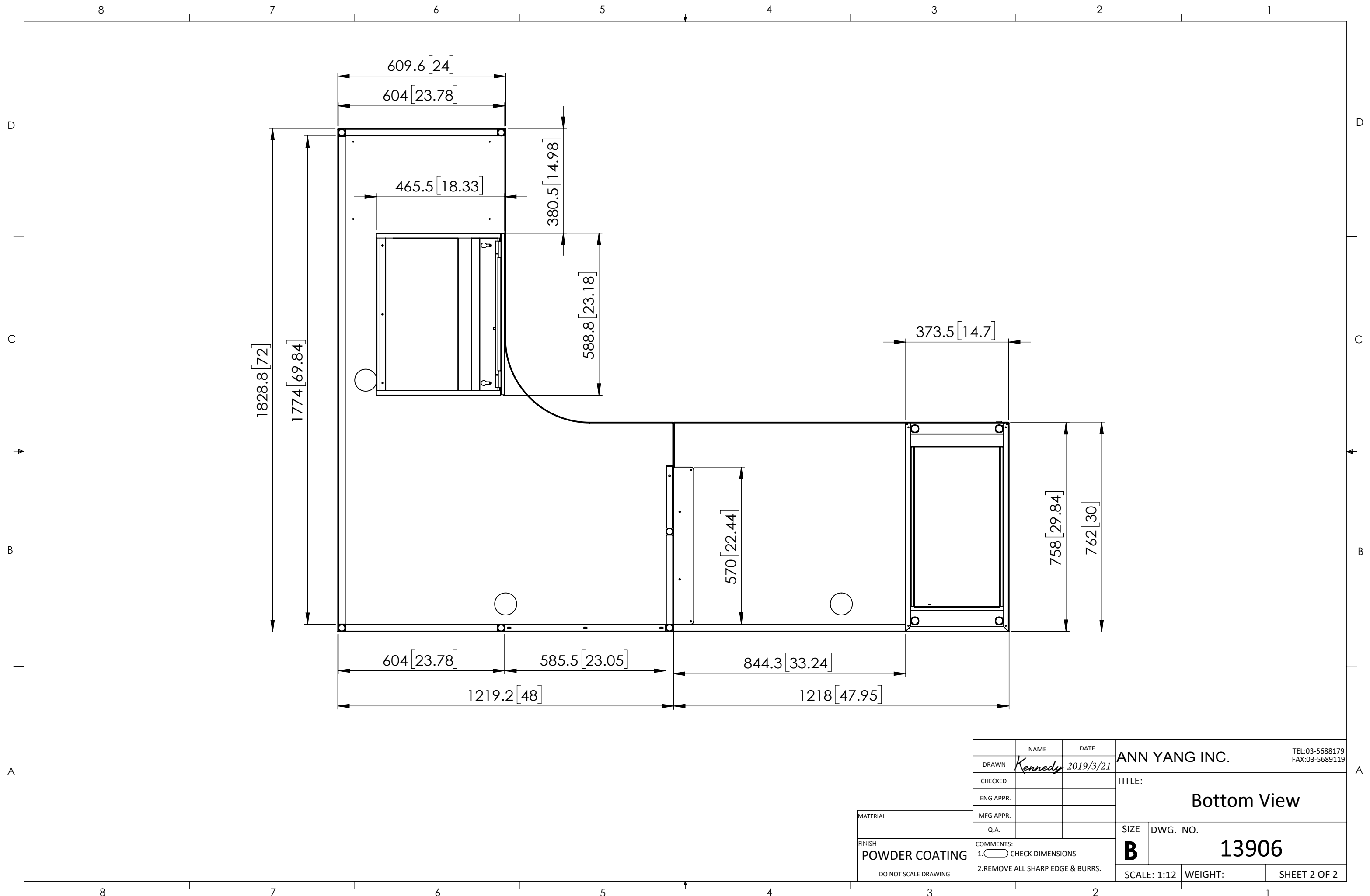
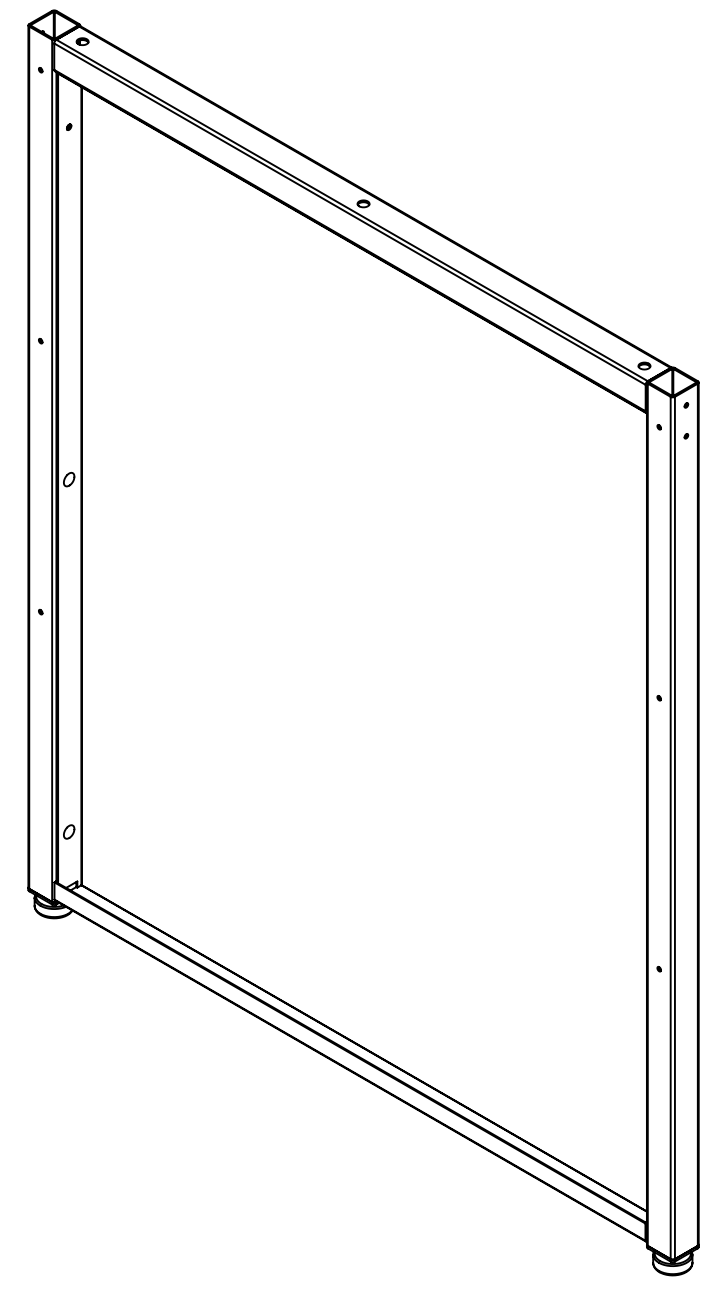
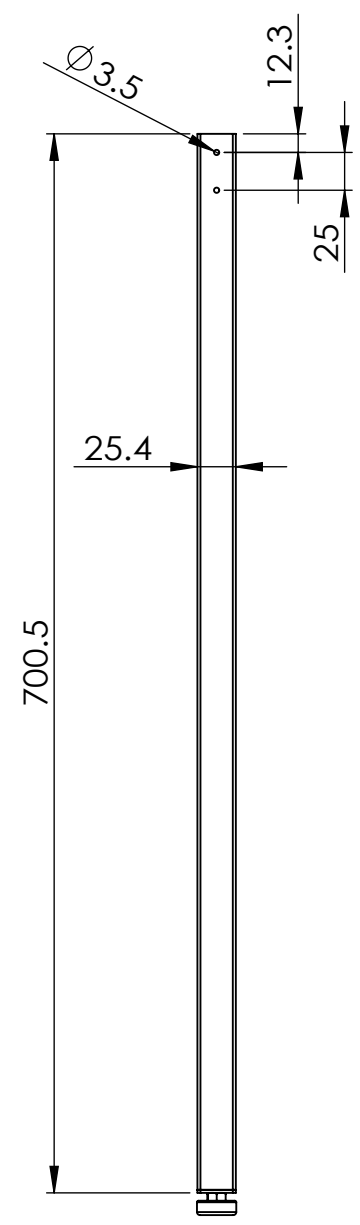
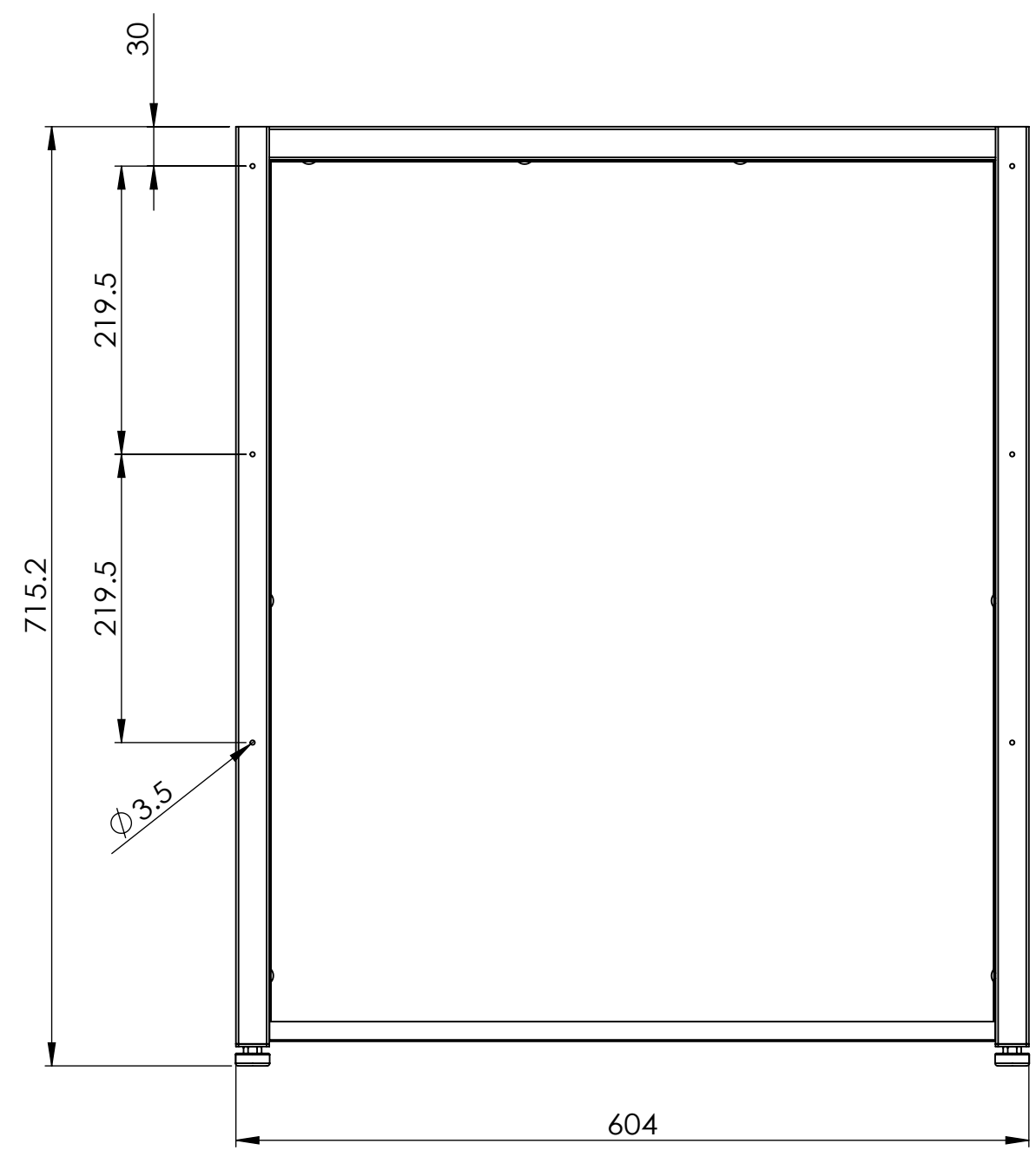
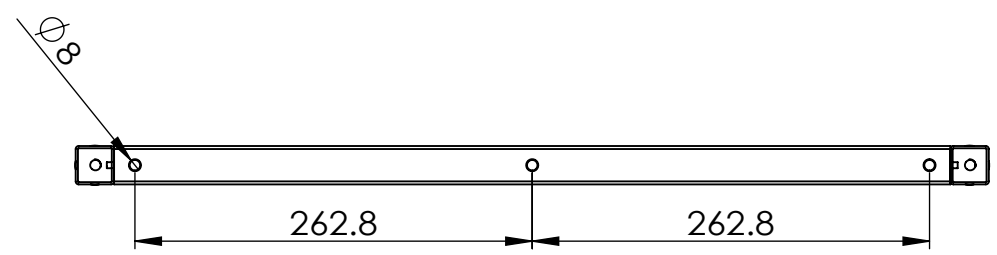


	NAME	DATE	ANN YANG INC.		TEL:03-5688179
DRAWN	<i>Kennedy</i>	2019/3/21	TITLE:		FAX:03-5689119
CHECKED			13906		
ENG APPR.			SIZE		DWG. NO.
MFG APPR.			B		13906
Q.A.			SCALE: 1:25		WEIGHT:
MATERIAL		COMMENTS:		SHEET 1 OF 2	
FINISH		1. <input type="checkbox"/> CHECK DIMENSIONS			
DO NOT SCALE DRAWING		2. REMOVE ALL SHARP EDGE & BURRS.			

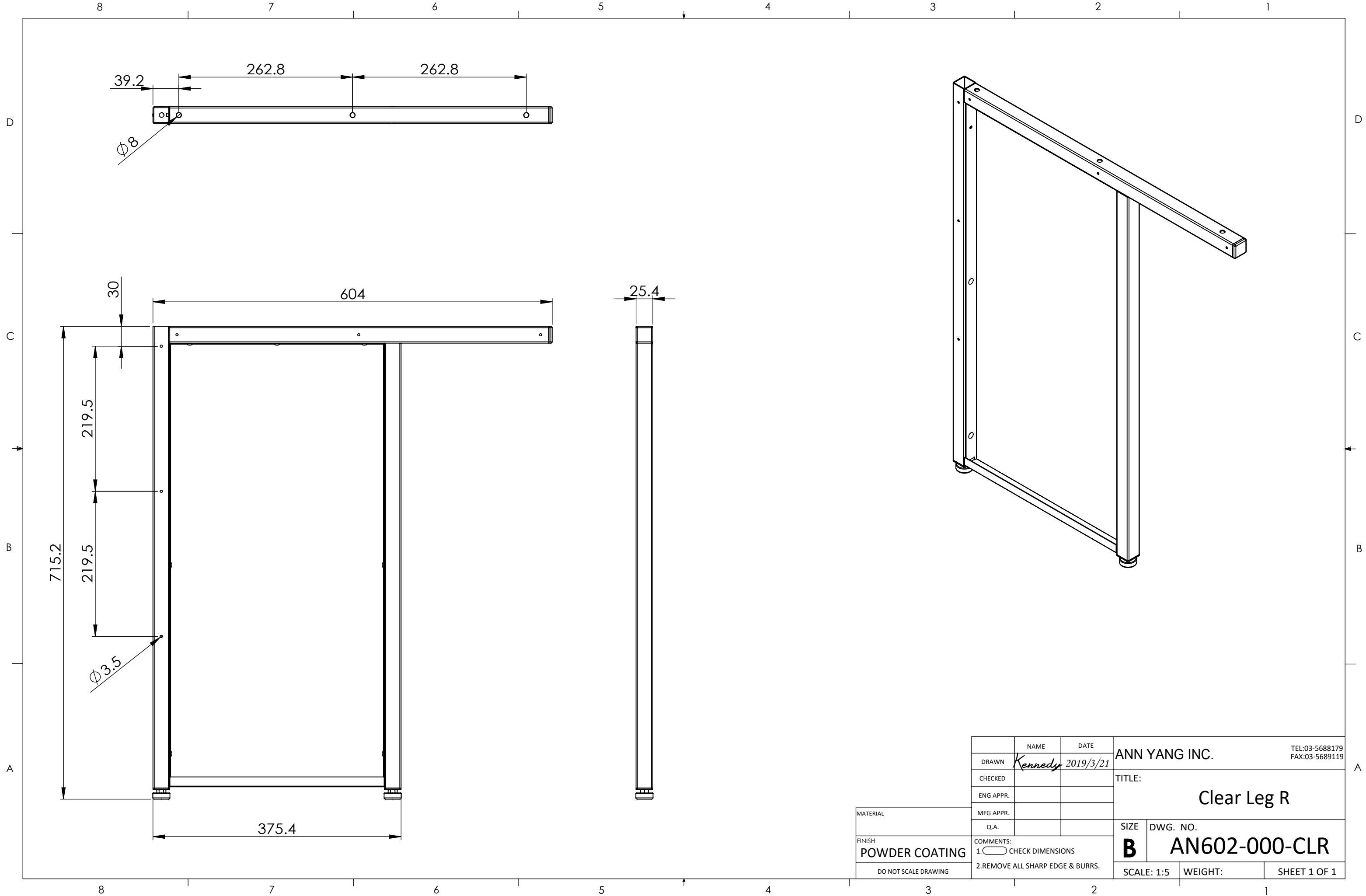


	NAME	DATE	ANN YANG INC.		TEL:03-5688179 FAX:03-5689119
DRAWN	<i>Kennedy</i>	2019/3/21	TITLE:		
CHECKED			Bottom View		
ENG APPR.					
MFG APPR.			SIZE	DWG. NO.	
Q.A.			B	13906	
COMMENTS:				SCALE: 1:12	WEIGHT:
DO NOT SCALE DRAWING			1. CHECK DIMENSIONS 2. REMOVE ALL SHARP EDGE & BURRS.		

MATERIAL
FINISH
POWDER COATING
DO NOT SCALE DRAWING



MATERIAL		NAME		DATE		ANN YANG INC.		TEL:03-5688179 FAX:03-5689119	
FINISH		DRAWN		2019/3/21		TITLE:		24 End Panel	
DO NOT SCALE DRAWING		CHECKED		ENG APPR.		MFG APPR.		Q.A.	
POWDER COATING		COMMENTS:				SIZE		DWG. NO.	
		1. CHECK DIMENSIONS				B		AN602-000-24	
		2. REMOVE ALL SHARP EDGE & BURRS.				SCALE: 1:5		WEIGHT:	
						SHEET 1 OF 1			

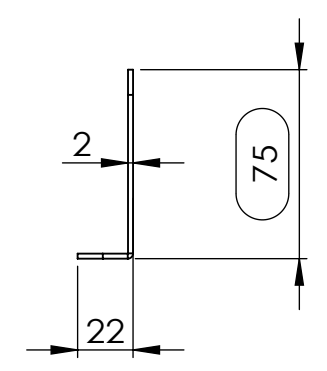
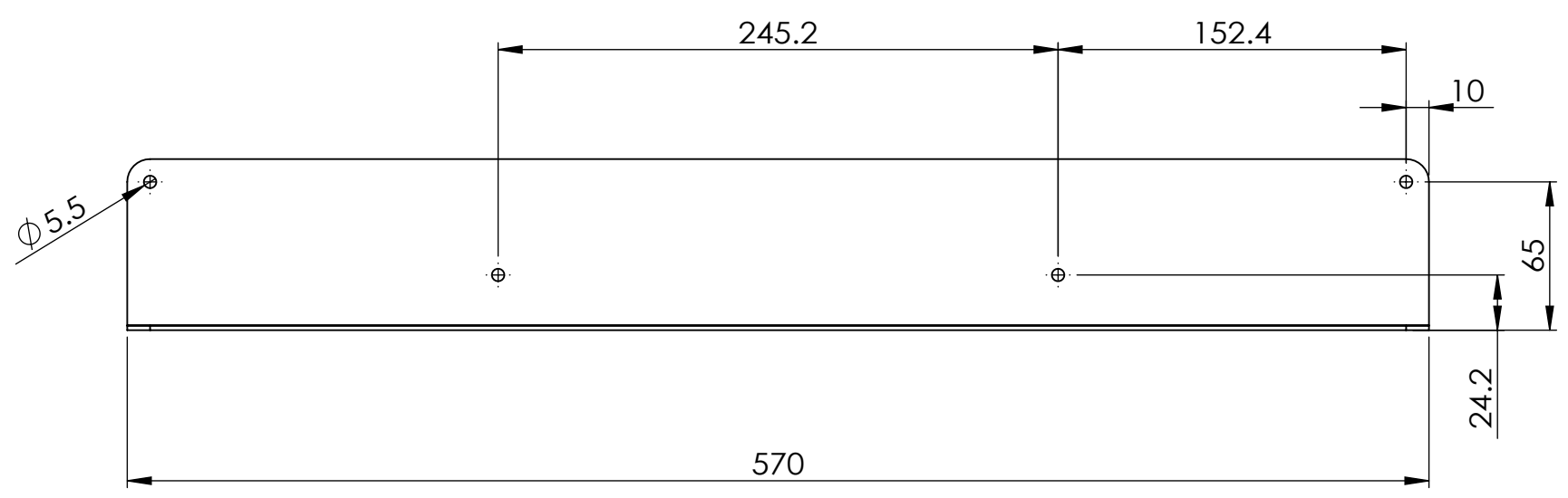
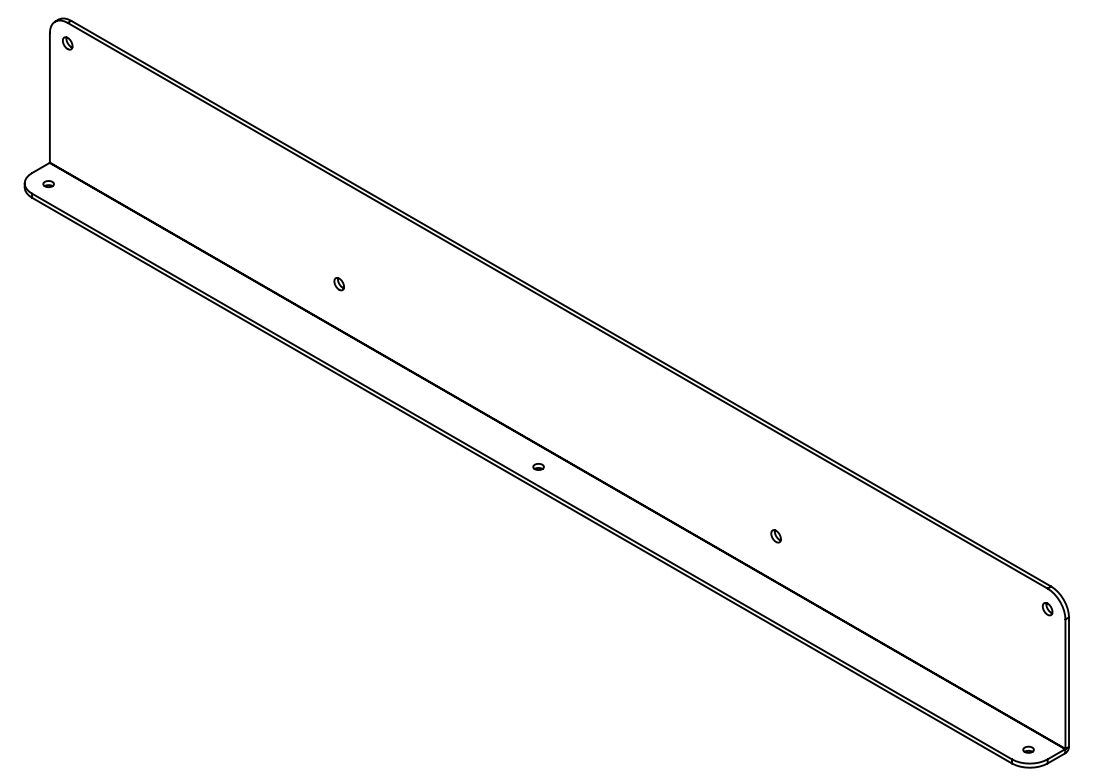
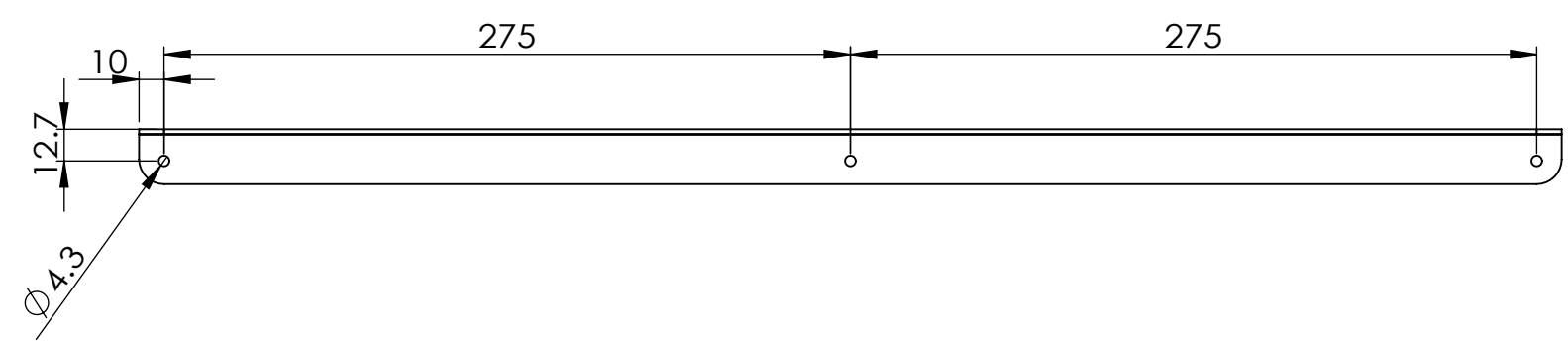


MATERIAL		NAME		DATE		ANN YANG INC.		TEL:03-5688179 FAX:03-5689119	
FINISH		DRAWN		2019/3/21		TITLE:			
DO NOT SCALE DRAWING		POWDER COATING		COMMENTS:		Clear Leg R			
				1. CHECK DIMENSIONS		SIZE		DWG. NO.	
				2. REMOVE ALL SHARP EDGE & BURRS.		B		AN602-000-CLR	
						SCALE: 1:5		WEIGHT:	
								SHEET 1 OF 1	

8 7 6 5 4 3 2 1

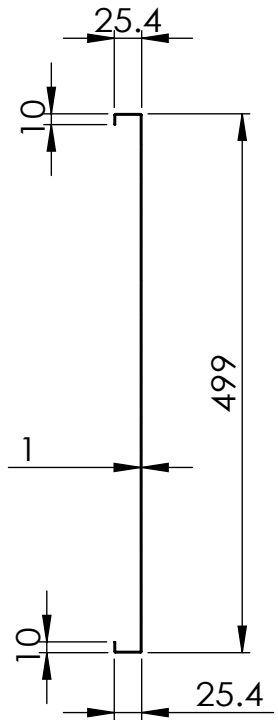
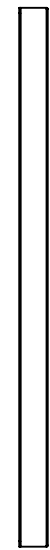
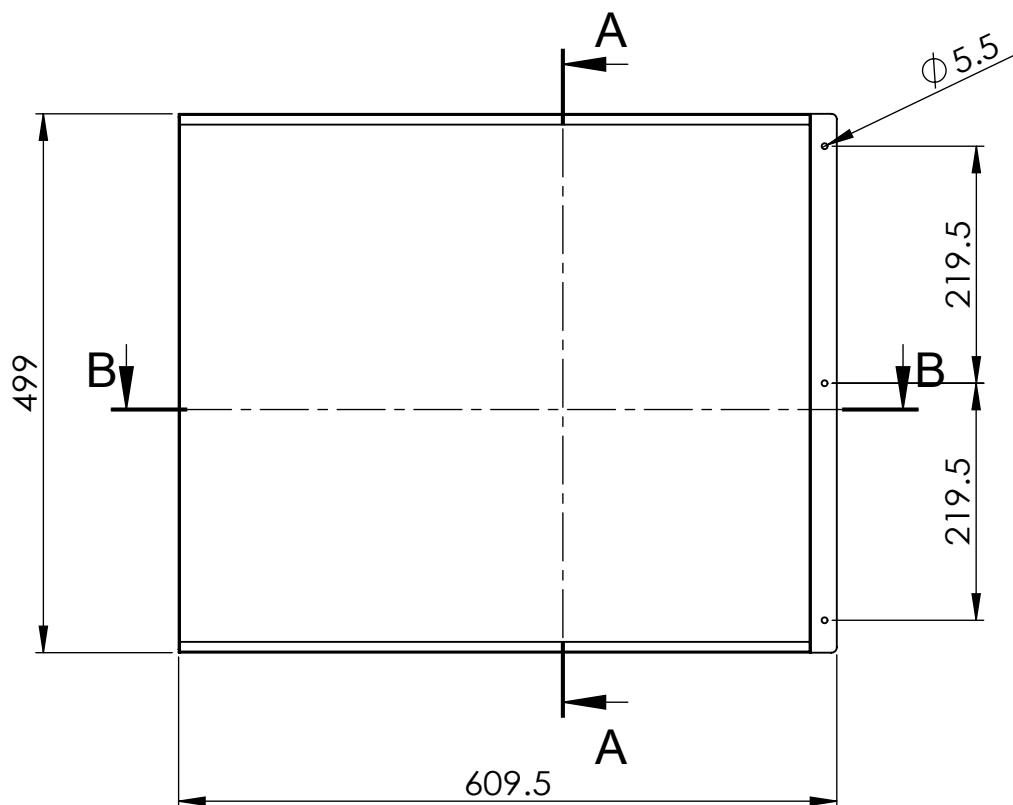
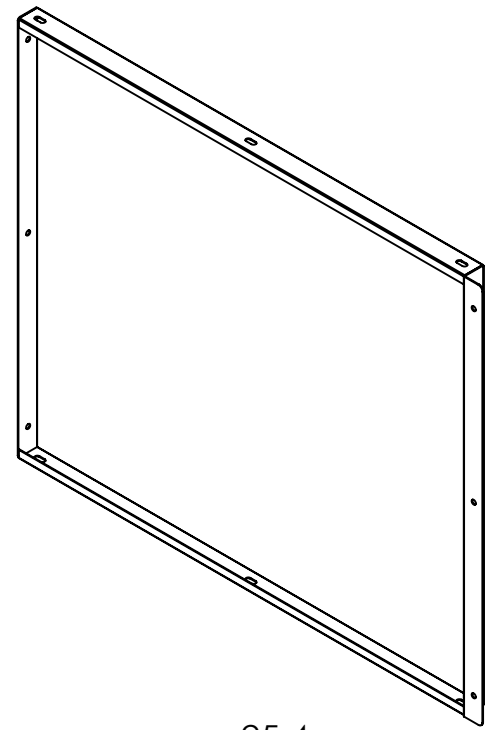
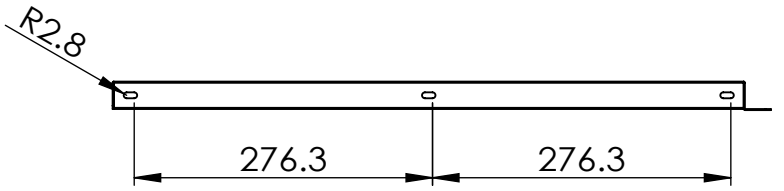
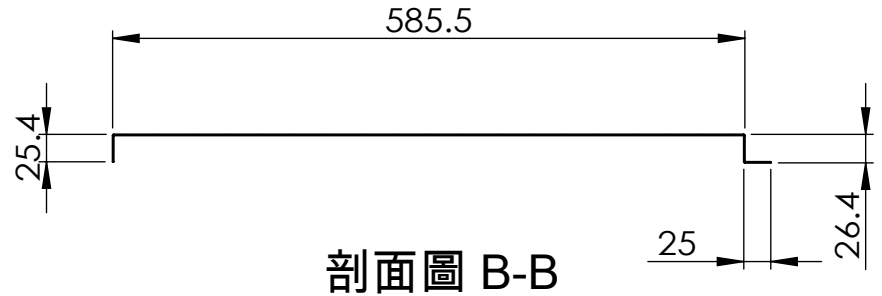
D
C
B
A

D
C
B
A



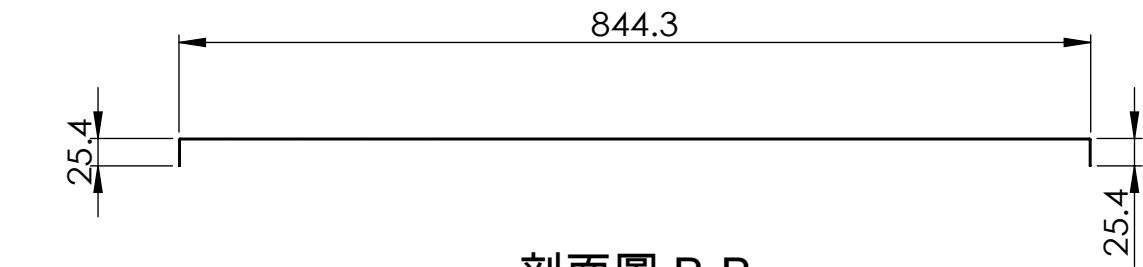
MATERIAL		NAME	DATE	ANN YANG INC.		TEL:03-5688179
FINISH		DRAWN	2019/3/21	TITLE:		FAX:03-5689119
POWDER COATING		CHECKED		L Bracket		
DO NOT SCALE DRAWING		ENG APPR.				
		MFG APPR.		SIZE	DWG. NO.	
		Q.A.		B	AN602-045	
		COMMENTS:		SCALE: 1:3	WEIGHT:	SHEET 1 OF 1
		1. CHECK DIMENSIONS				
		2. REMOVE ALL SHARP EDGE & BURRS.				

8 7 6 5 4 3 2 1

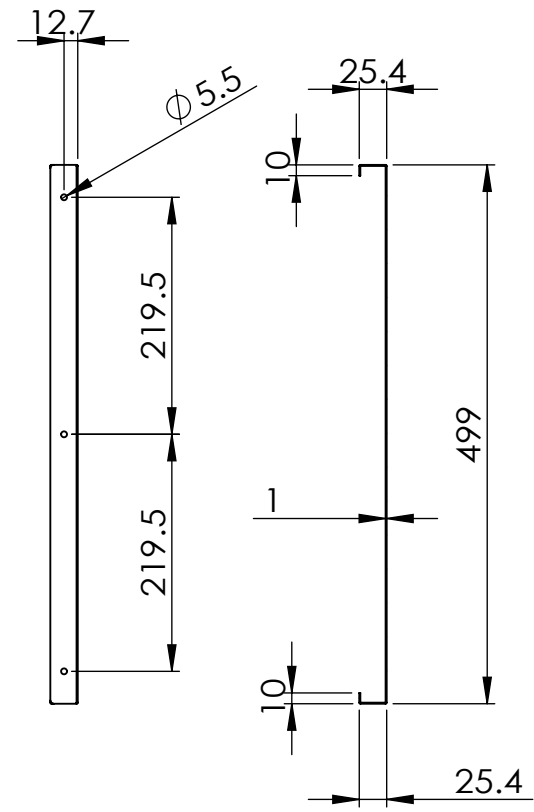
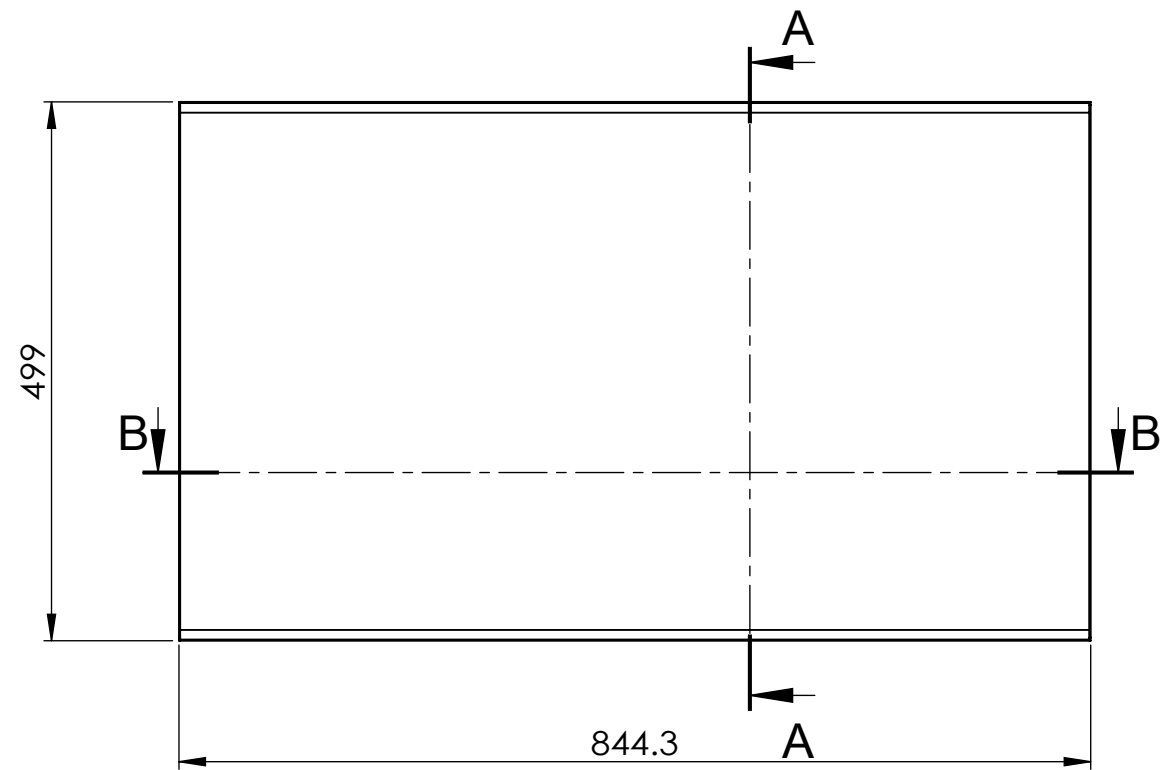
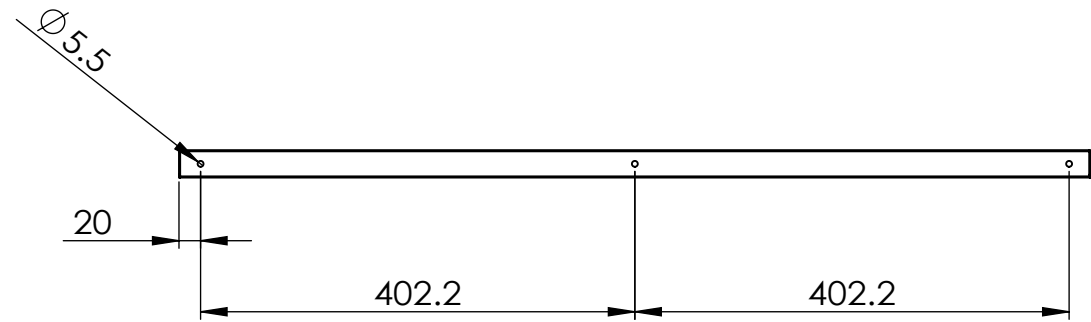


剖面圖 A-A

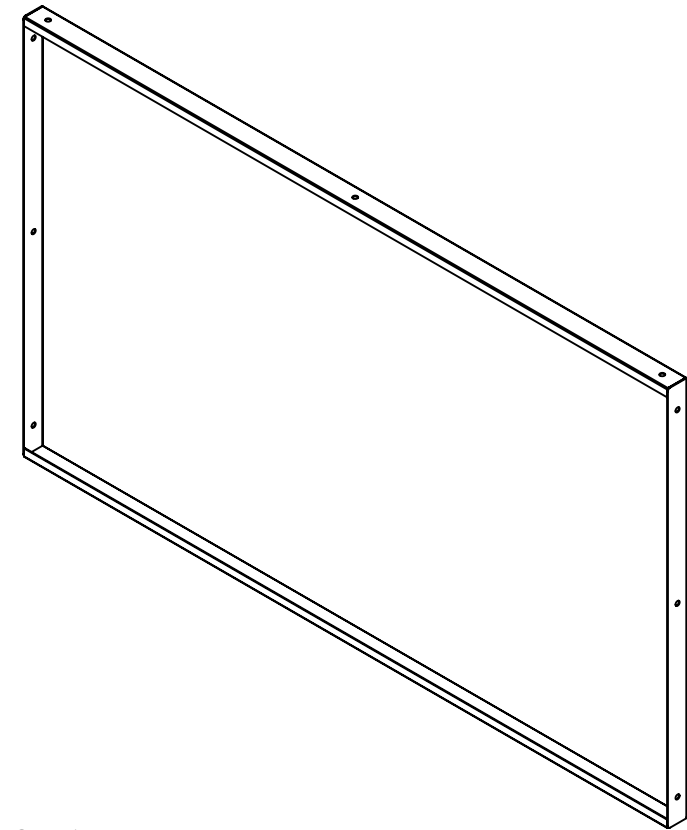
	NAME	DATE	ANN YANG INC.		TEL:03-5688179 FAX:03-5689119
DRAWN	<i>Kennedy</i>	2019/3/21	TITLE:		
CHECKED			RMP-585x499		
ENG APPR.					
MATERIAL	MFG APPR.		SIZE	DWG. NO.	
FINISH	Q.A.		B	AN501-585499	
POWDER COATING	COMMENTS: 1. CHECK DIMENSIONS 2. REMOVE ALL SHARP EDGE & BURRS.			SCALE: 1:7	WEIGHT:
DO NOT SCALE DRAWING					



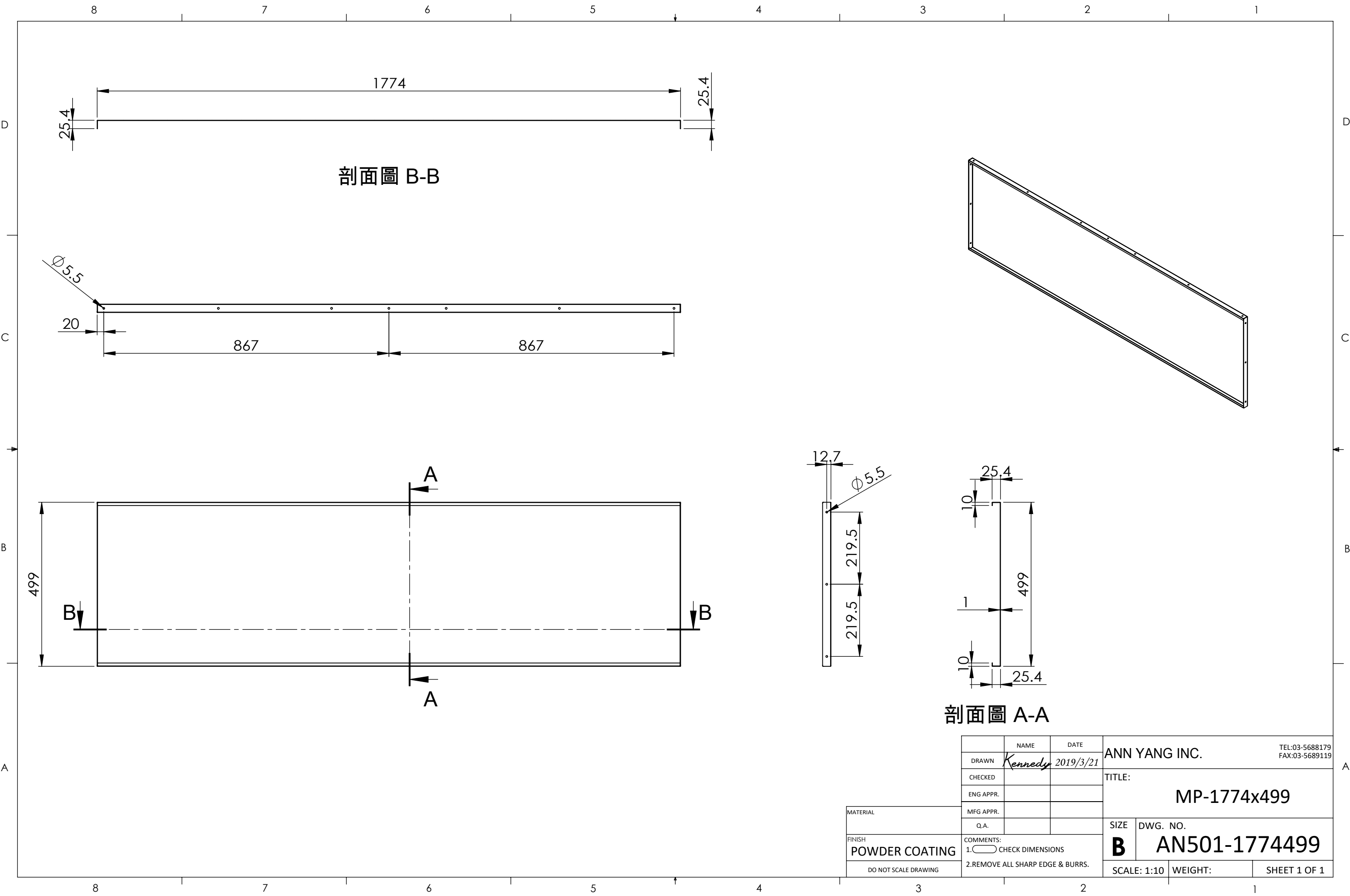
剖面圖 B-B



剖面圖 A-A



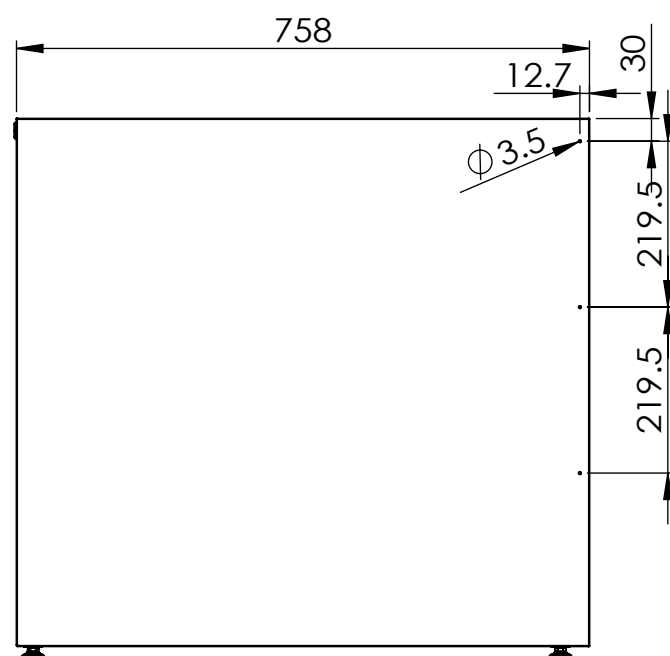
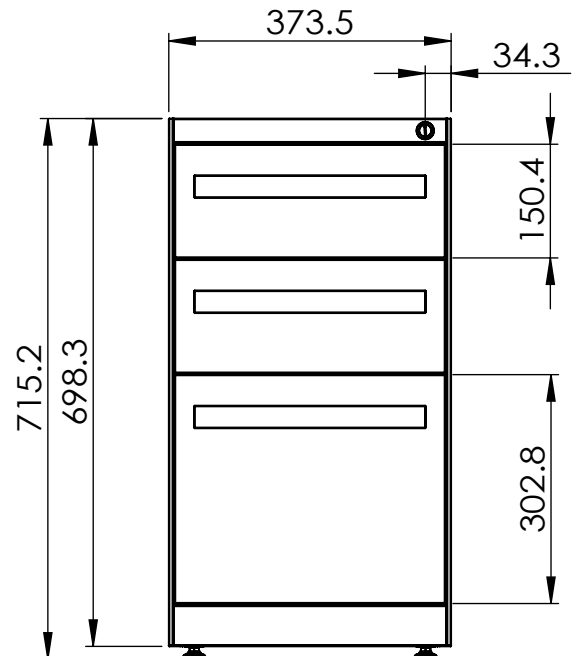
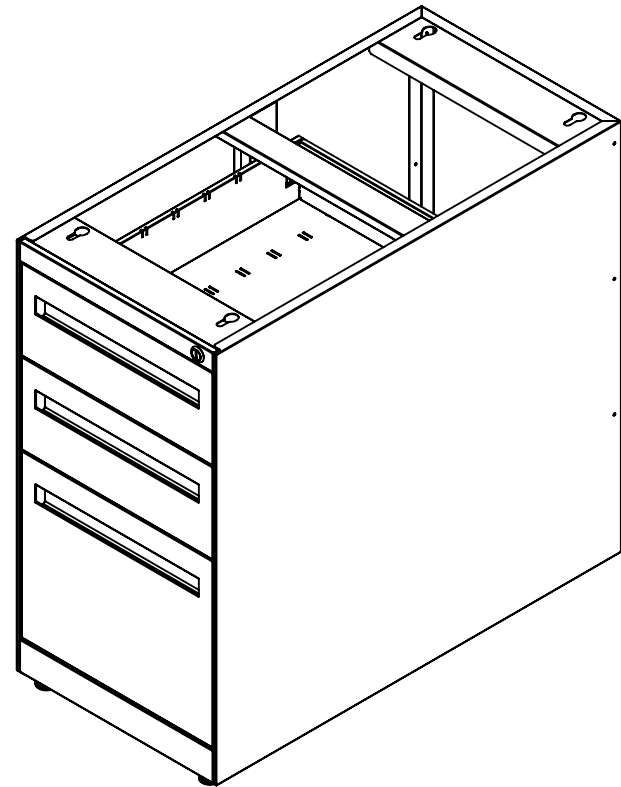
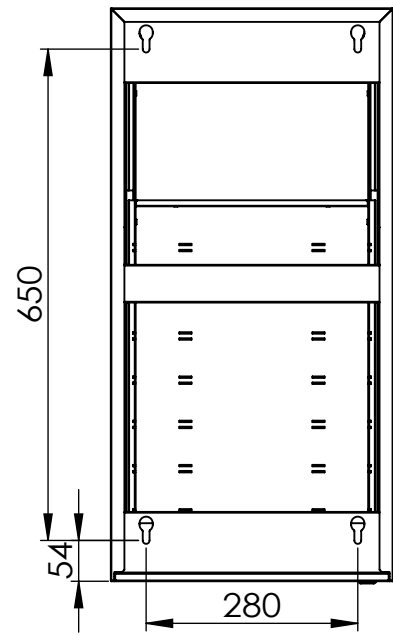
	NAME	DATE	ANN YANG INC. TEL:03-5688179 FAX:03-5689119	
DRAWN	<i>Kennedy</i>	2019/3/21	TITLE:	
CHECKED			MP-844x499	
ENG APPR.			SIZE	DWG. NO.
MFG APPR.			B	AN501-844499
Q.A.			SCALE: 1:7	WEIGHT:
MATERIAL		COMMENTS:		SHEET 1 OF 1
FINISH		1. CHECK DIMENSIONS		
POWDER COATING		2. REMOVE ALL SHARP EDGE & BURRS.		
DO NOT SCALE DRAWING				



剖面圖 B-B

剖面圖 A-A

	NAME	DATE	ANN YANG INC.		TEL:03-5688179 FAX:03-5689119
DRAWN	<i>Kennedy</i>	2019/3/21	TITLE:		
CHECKED			MP-1774x499		
ENG APPR.					
MATERIAL			SIZE	DWG. NO.	
FINISH	POWDER COATING		B	AN501-1774499	
	DO NOT SCALE DRAWING			SCALE: 1:10	WEIGHT:
COMMENTS:					
1. CHECK DIMENSIONS					
2. REMOVE ALL SHARP EDGE & BURRS.					



	NAME	DATE	ANN YANG INC.		TEL:03-5688179 FAX:03-5689119
DRAWN	<i>Kennedy</i>	2019/3/21	TITLE:		
CHECKED			RP30BBF		
ENG APPR.					
MATERIAL	MFG APPR.		SIZE	DWG. NO.	
FINISH	Q.A.		B	AN105-001-RP30BBF	
DO NOT SCALE DRAWING	COMMENTS: 1. CHECK DIMENSIONS 2. REMOVE ALL SHARP EDGE & BURRS.		SCALE: 1:10	WEIGHT:	SHEET 1 OF 1