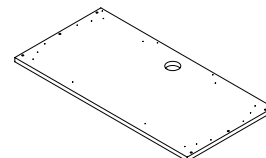
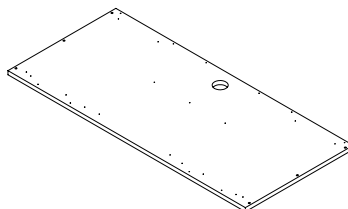
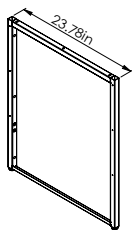
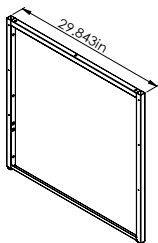


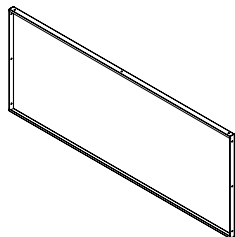
Congratulations on the purchase of your new *Signature Series* product!

COMPONENTS

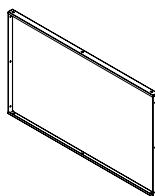
- A. 30" End Panel*2pcs B. 24" End Panel*1pc C. 66"x30" Main Top*1pc D. 48"x24" Return Top*1pc



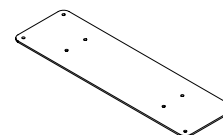
- E. Modesty Panel*1pc



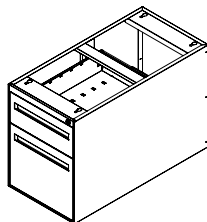
- F. Return Modesty Panel*1pc



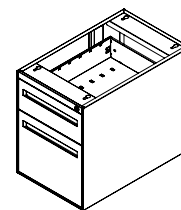
- G. Connecting Plate*1pc



- H. 29" Pedestal*1pc

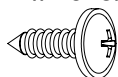


- I. 23" Pedestal*1pc



HARDWARE

- (1).Self-tapping Screw 4*10mm-12pcs (2).Self-tapping Screw #10*3/4"-14pcs (3).Screw M6*12mm-12pcs (4).Screw M6*40mm-9pcs (5).M6 Washer-9pcs



- (6).Shoulder Rivet-8pcs



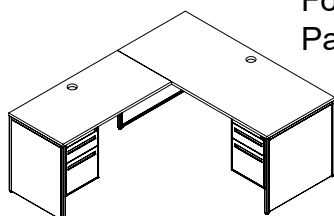
- (7).Flat Head Screw #10*1" -8pcs



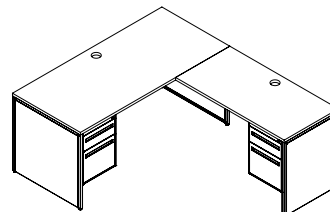
- (8).Bracket*2pcs



- (9). Bracket*2pcs



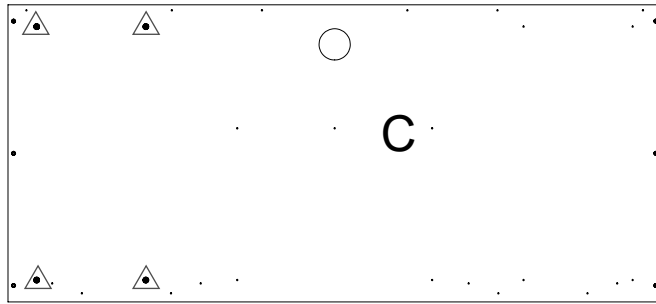
For Left Return Follow
Page 2 - Page 3



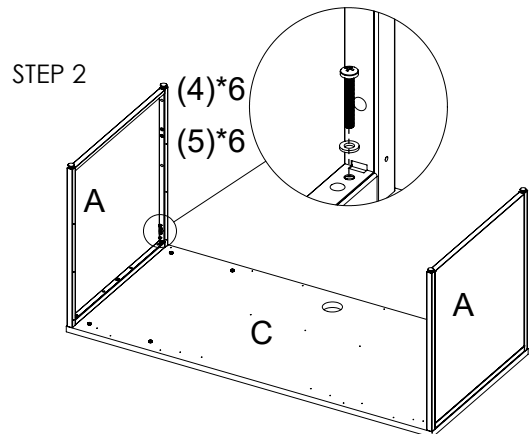
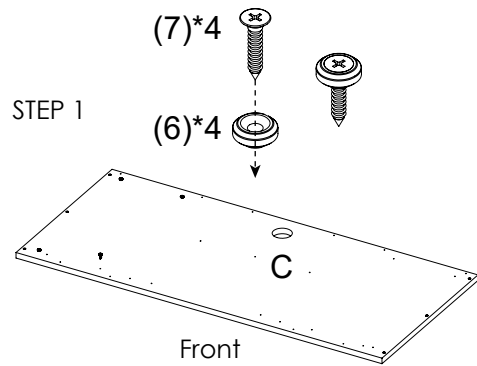
For Right Return Follow
Page 4 - Page 5

Congratulations on the purchase of your new *Signature Series* product!

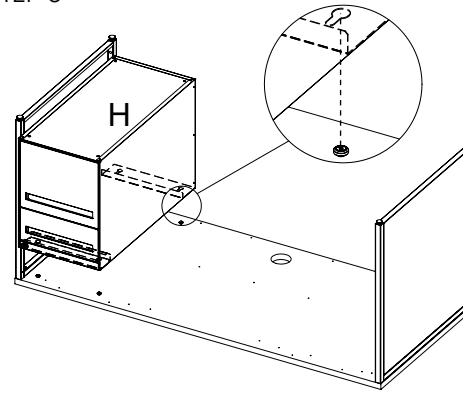
INSTRUCTIONS FOR LEFT RETURN



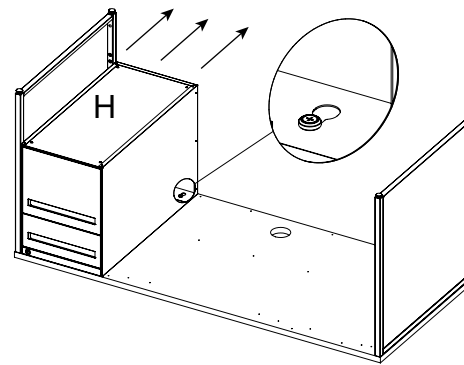
Front \triangle Shoulder Rivet holes



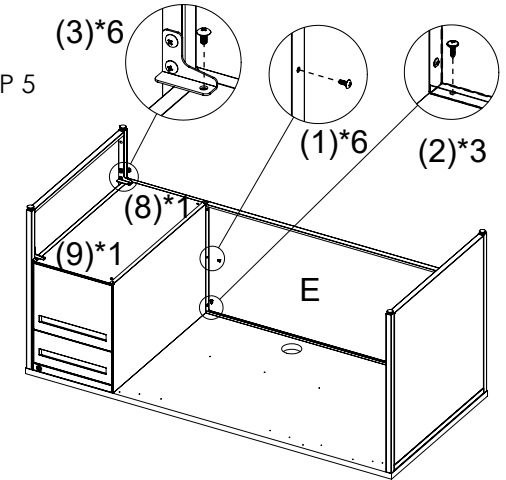
STEP 3



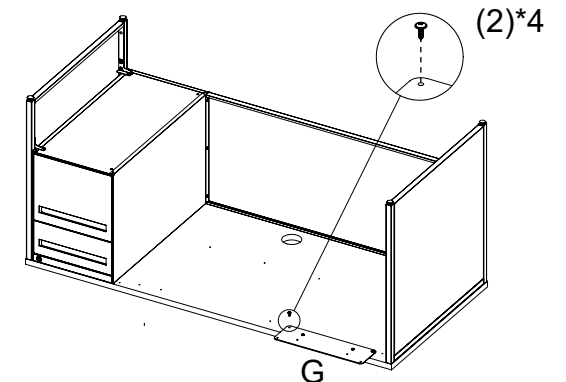
STEP 4



STEP 5

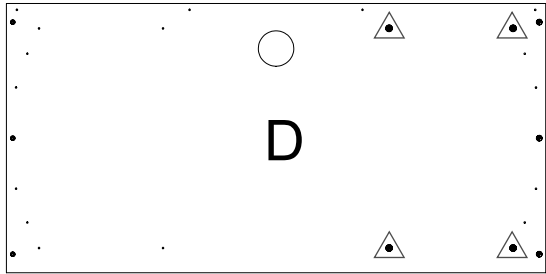


STEP 6

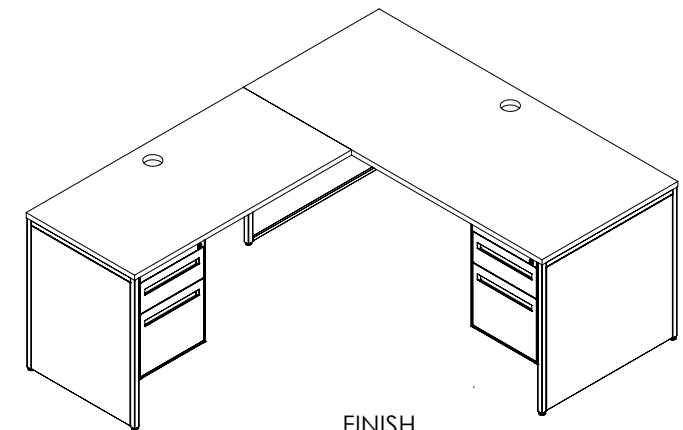
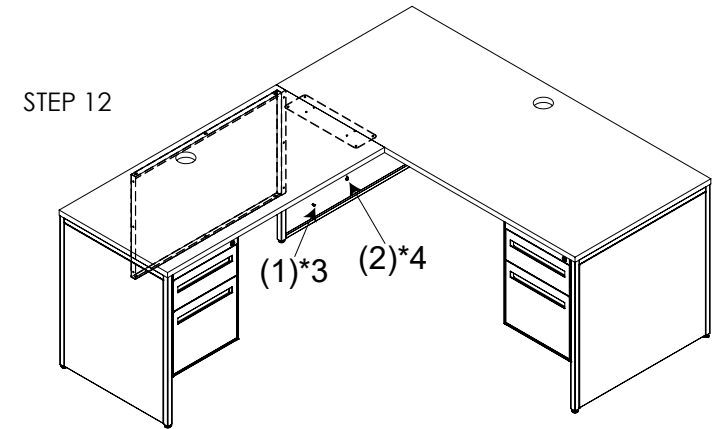
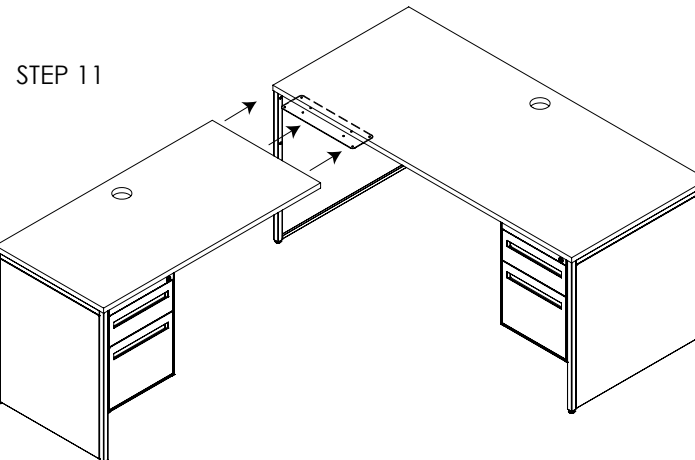
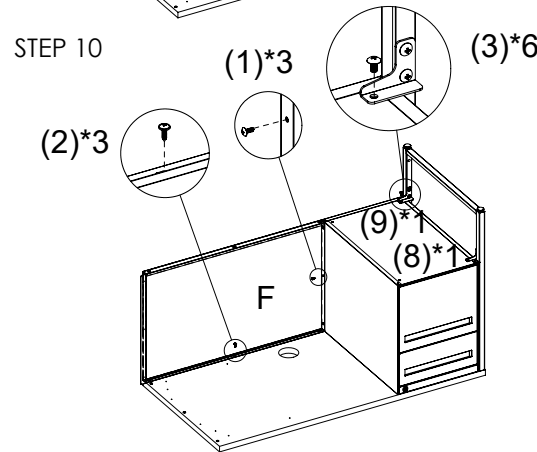
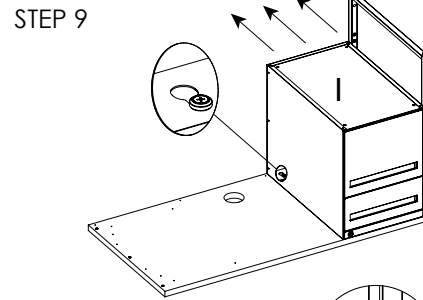
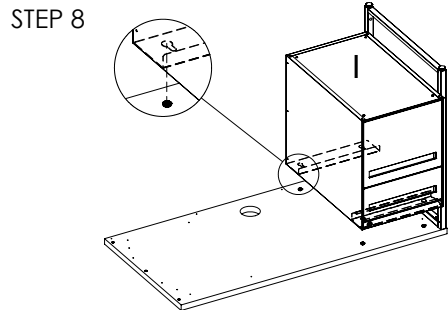
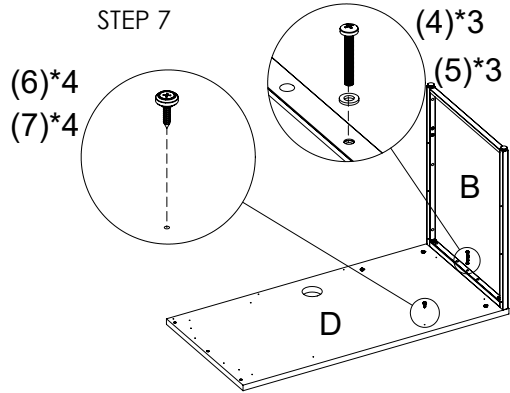


Congratulations on the purchase of your new *Signature Series* product!

INSTRUCTIONS FOR LEFT RETURN

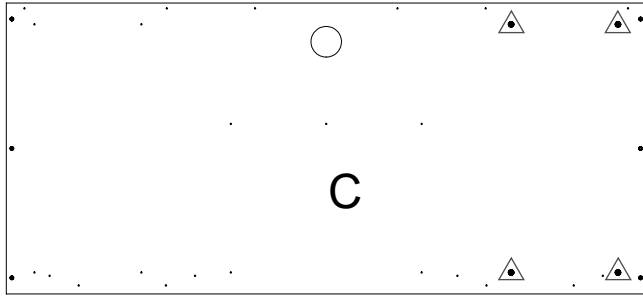


Front \triangle Shoulder Rivet holes

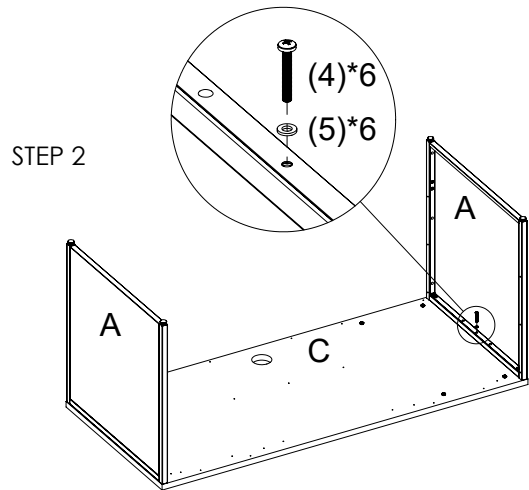
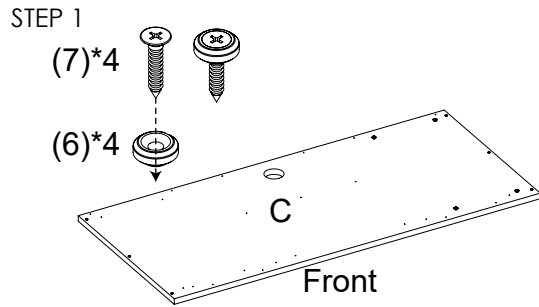


Congratulations on the purchase of your new *Signature Series* product!

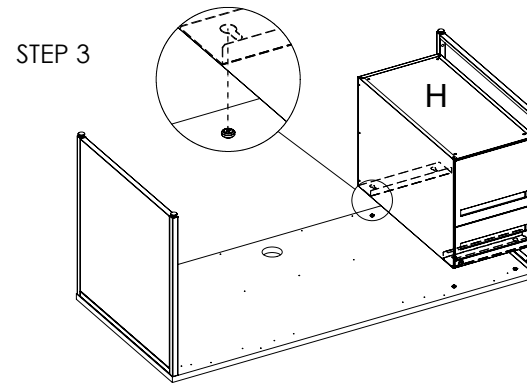
INSTRUCTIONS FOR RIGHT RETURN



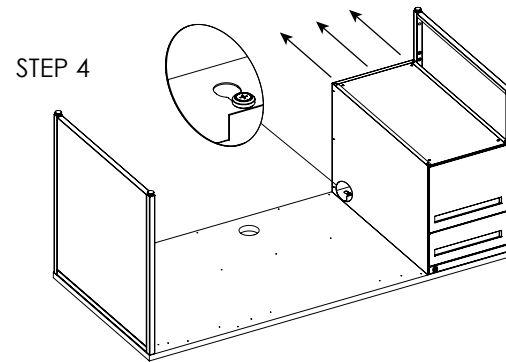
Front \triangle Shoulder Rivet holes



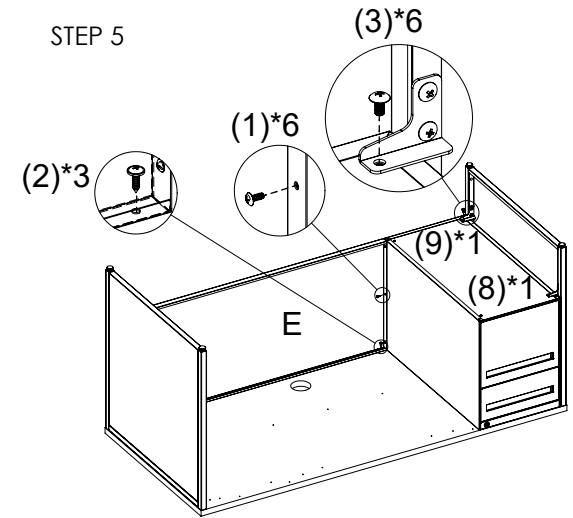
STEP 3



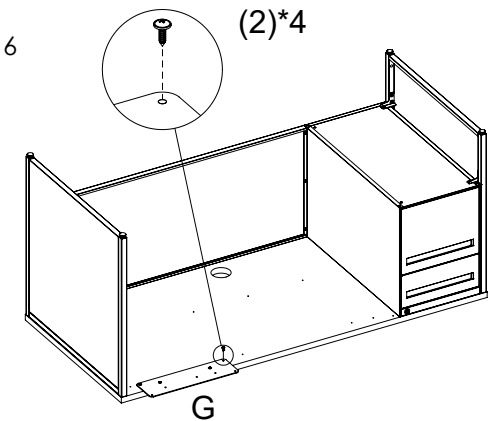
STEP 4



STEP 5

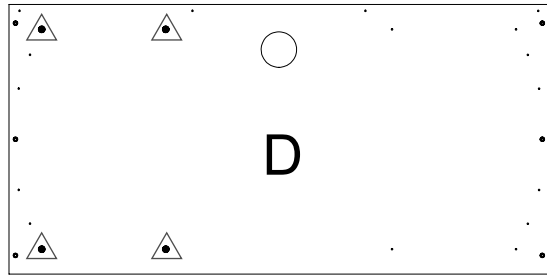


STEP 6



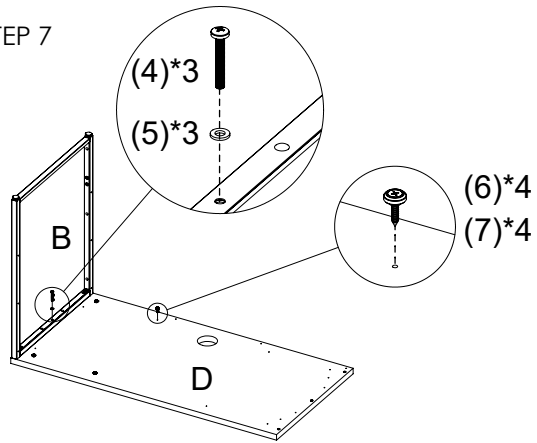
Congratulations on the purchase of your new *Signature Series* product!

INSTRUCTIONS FOR RIGHT RETURN

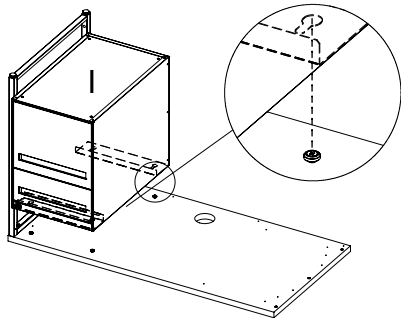


Front \triangle Shoulder Rivet holes

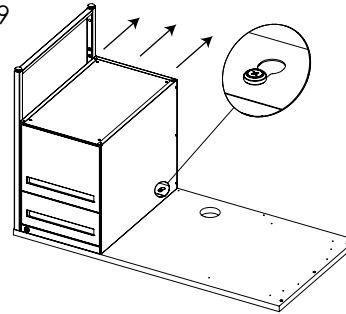
STEP 7



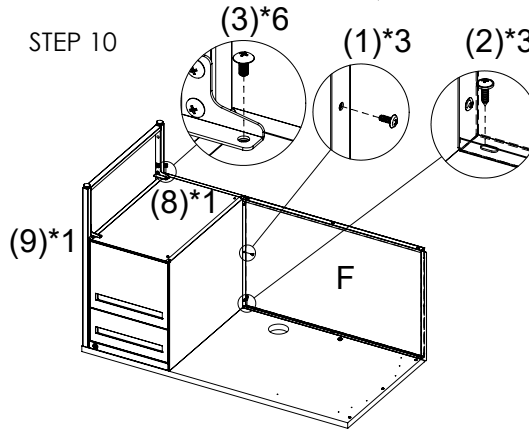
STEP 8



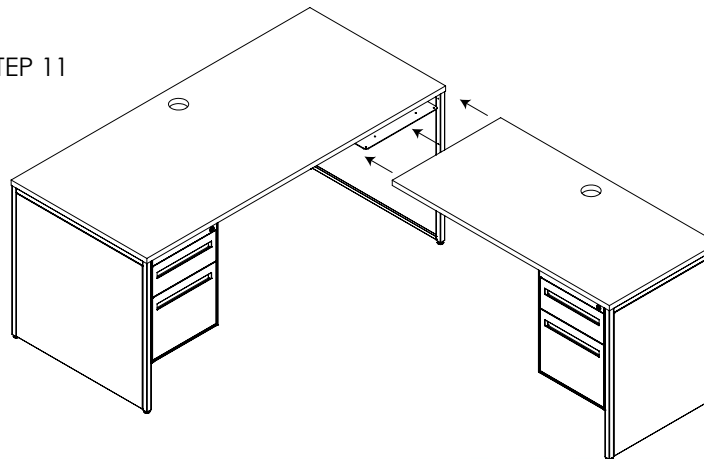
STEP 9



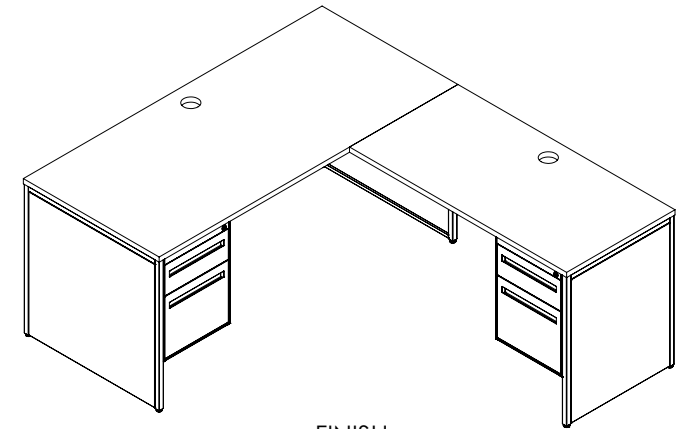
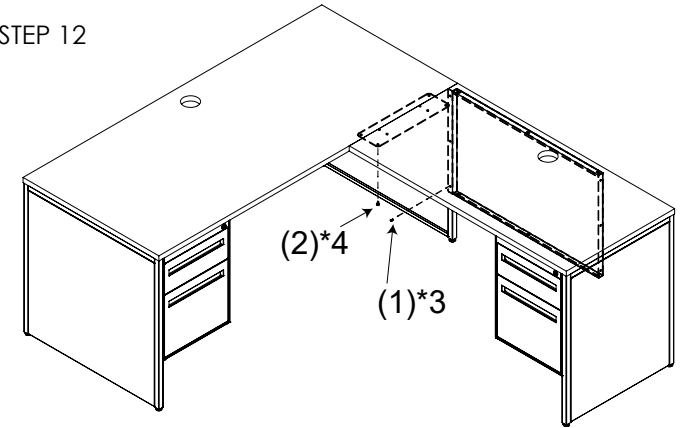
STEP 10



STEP 11



STEP 12



FINISH