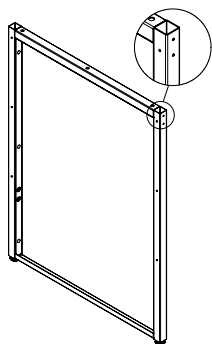


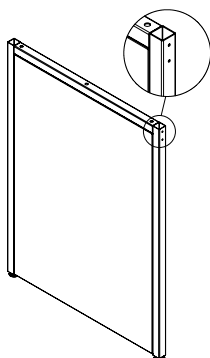
Congratulations on the purchase of your new *Signature Series* product!

COMPONENTS

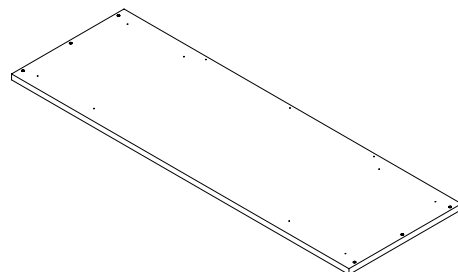
A. 22" End Panel-L*1pc



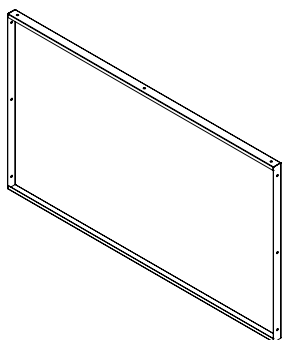
B. 22" End Panel-R*1pc



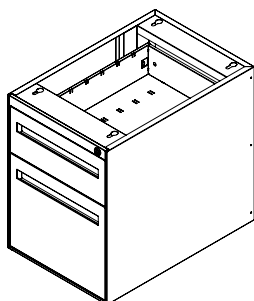
C. 66"x22" Table Top*1pc



D. Modesty Panel*1pc



E. 22" Pedestal*2pcs

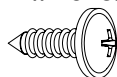


HARDWARE

(1).Self-tapping
Screw 4*10mm-6pcs



(2).Self-tapping
Screw #10*3/4"-3pcs



(3).Screw
M6*12mm-12pcs



(4).Screw
M6*40mm-6pcs



(5).M6 Washer-6pcs



(6).Shoulder Rivet-8pcs



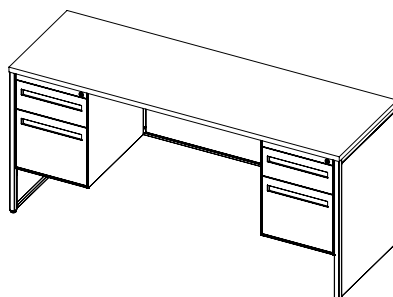
(7).Flat Head Screw
#10*1" -8pcs



(8).Bracket-2pcs



(9). Bracket-2pcs

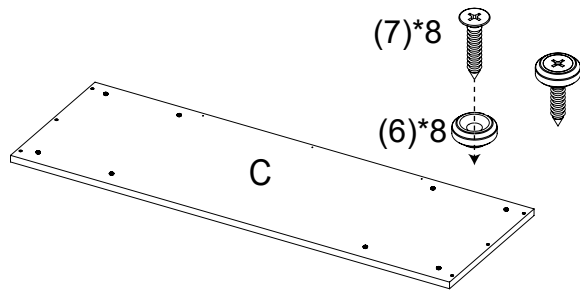


Congratulations on the purchase of your new *Signature Series* product!

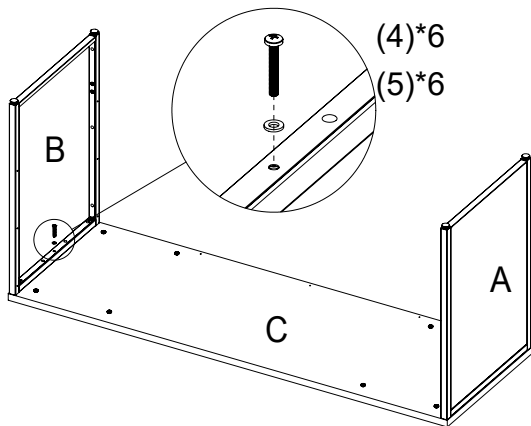
INSTRUCTIONS FOR 66"x22" TABLE



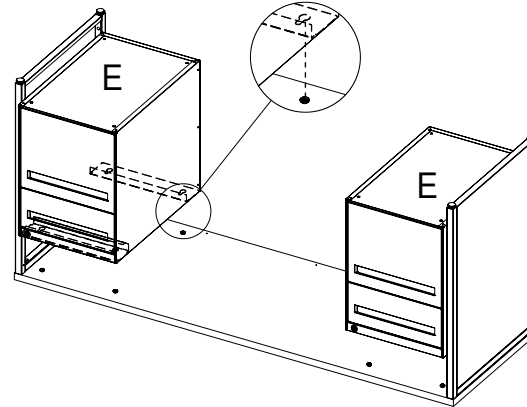
FRONT Shoulder Rivet holes



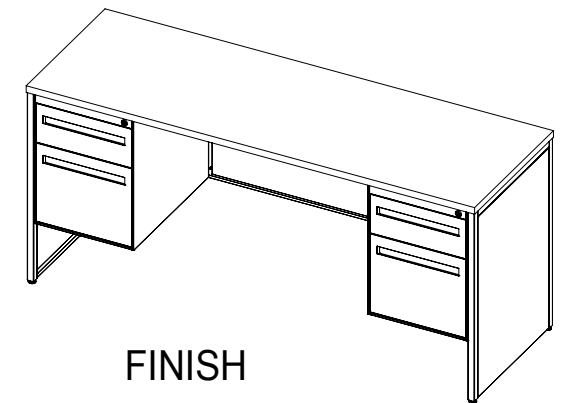
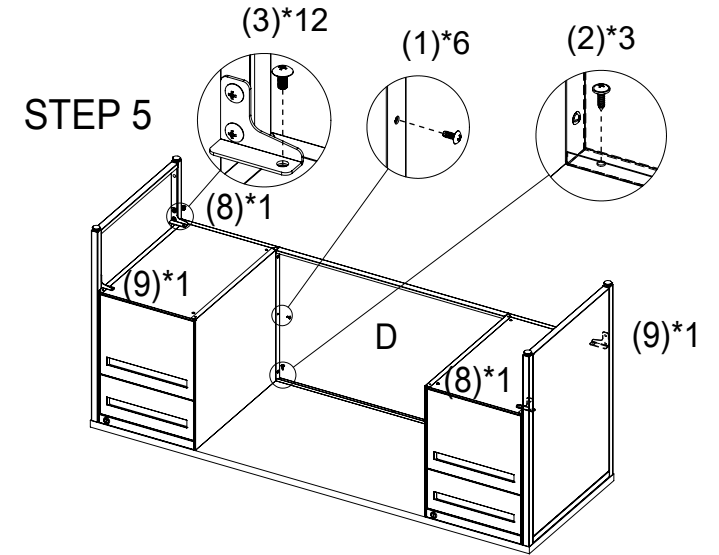
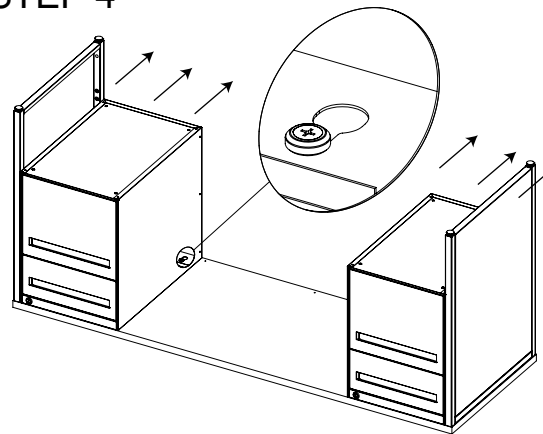
STEP 2



STEP 3



STEP 4



FINISH