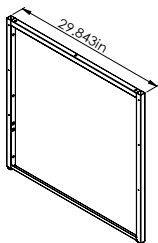


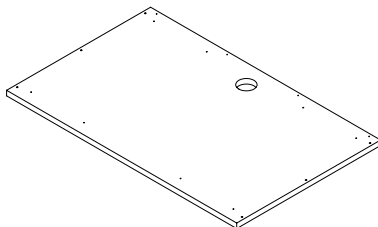
Congratulations on the purchase of your new *Signature Series* product!

COMPONENTS

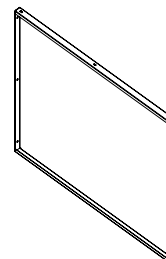
A. 30" End Panel*2pcs



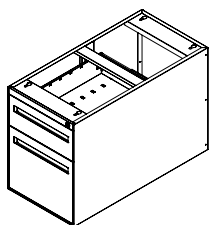
B. 48"x30" Table Top*1pc



C. Modesty Panel*1pc



D. 29" Pedestal*1pc

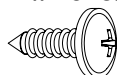


HARDWARE

(1).Self-tapping
Screw 4*10mm-6pcs



(2).Self-tapping
Screw #10*3/4"-3pcs



(3).Screw
M6*12mm-6pcs



(4).Screw
M6*40mm-6pcs



(5).M6 Washer-6pcs



(6).Shoulder Rivet-4pcs



(7).Flat Head Screw
#10*1" -4pcs



(8).Bracket*1pc

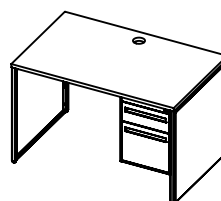
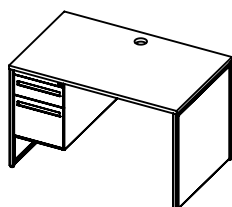


(9). Bracket*1pc



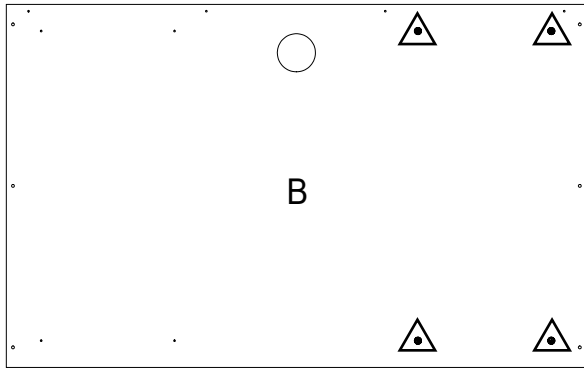
For Left Pedestal follow Page 2

For Right Pedestal follow Page 3

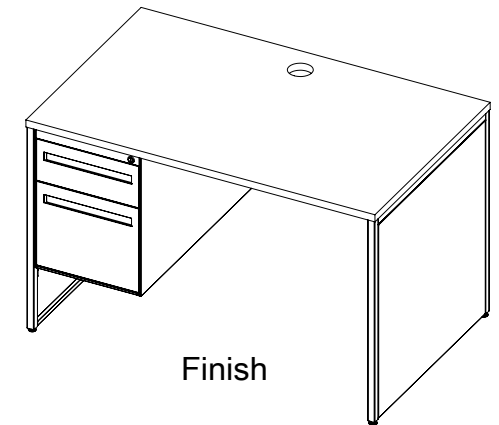
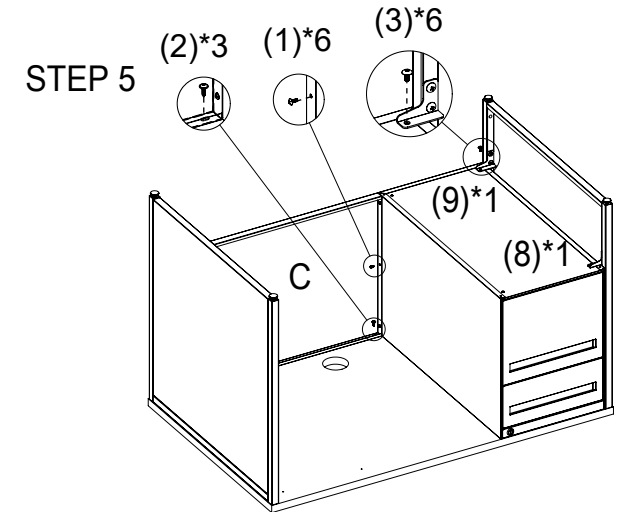
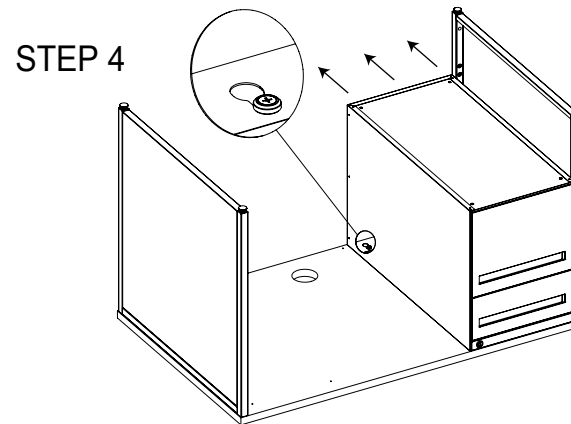
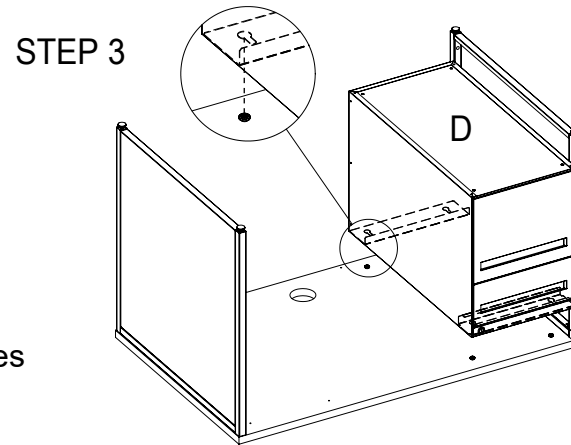
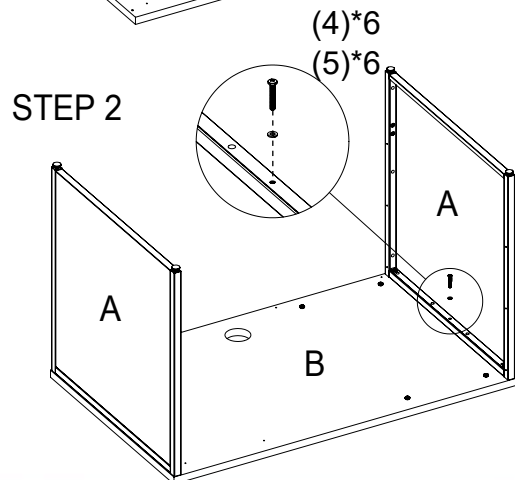
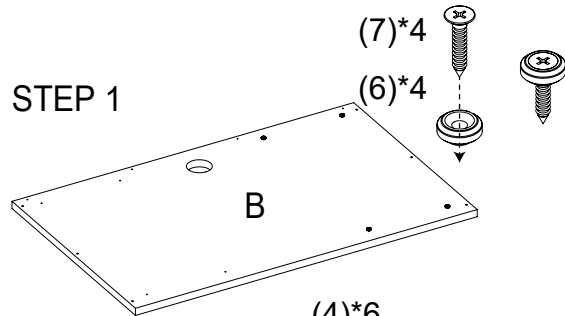


Congratulations on the purchase of your new *Signature Series* product!

INSTRUCTIONS FOR LEFT PEDESTAL

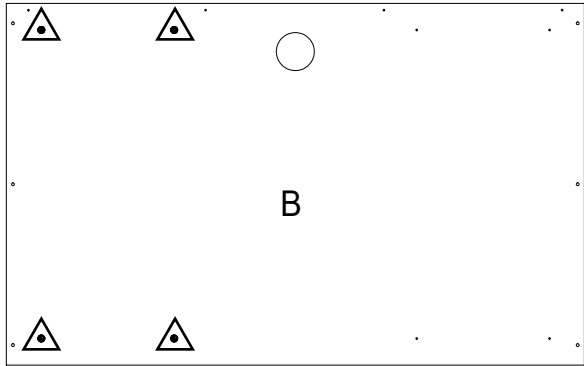


FRONT Shoulder Rivet holes



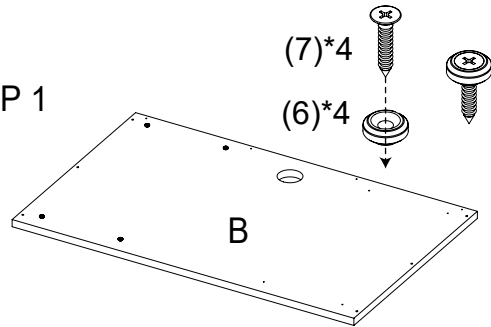
Congratulations on the purchase of your new *Signature Series* product!

INSTRUCTIONS FOR RIGHT PEDESTAL

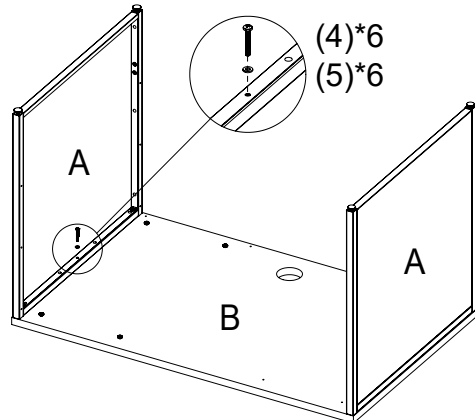


FRONT Shoulder Rivet holes

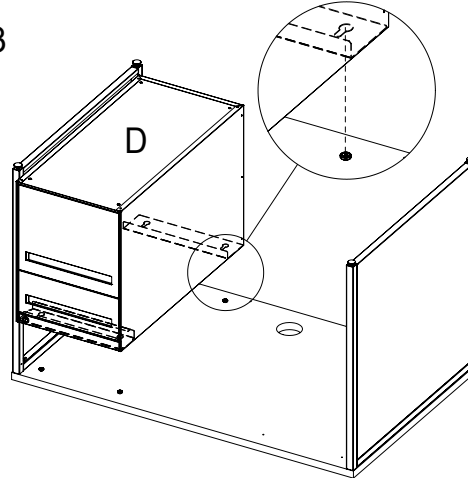
STEP 1



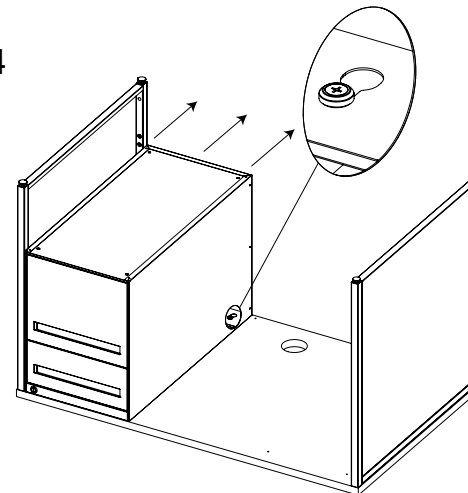
STEP 2



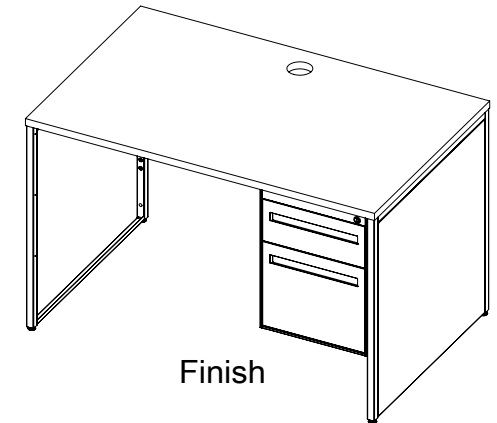
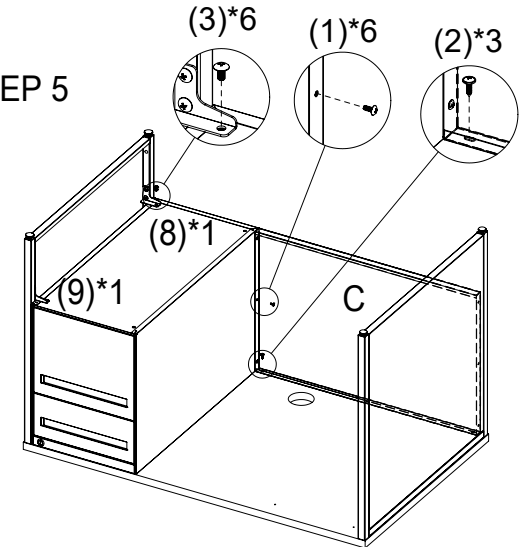
STEP 3



STEP 4



STEP 5



Finish