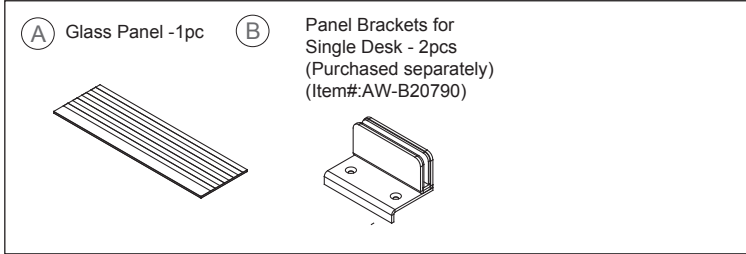
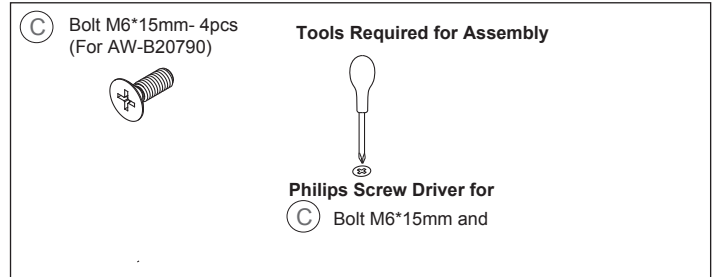


Congratulations on the purchase of your new *Signature Series* product!

COMPONENTS



HARDWARE & TOOLS

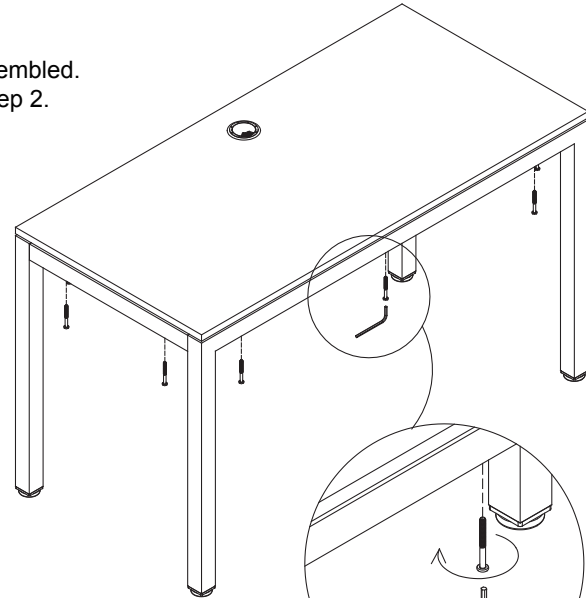


INSTRUCTIONS

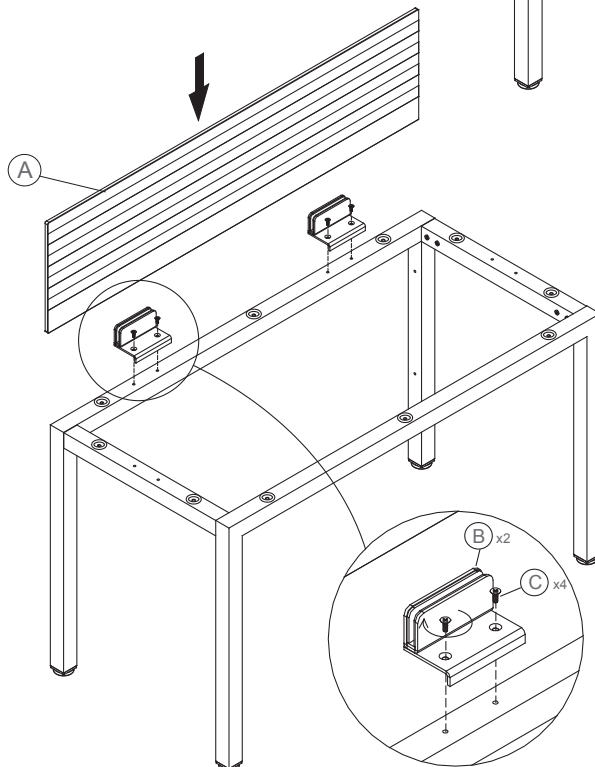
STEP 1

NOTE

This step only applies if installing after tables have been assembled.
If installing before the tables have been assembled, go to step 2.



STEP 2



Congratulations on the purchase of your new *Signature Series* product!

INSTRUCTIONS

STEP 3

