

CLEANING AND MAINTENANCE/ REGISTRATION

CLEANING/MAINTENANCE

Always unplug the heater and allow to cool, before moving or cleaning.

1. Carefully wipe the unit with a soft, damp cloth. Please be very cautious near the motor and heating elements.
2. NEVER use abrasive or flammable solvents to clean the unit.
3. After cleaning, be sure to completely dry the unit with a cloth or towel.
4. Store heater in a cool, dry location.

TROUBLESHOOTING

If your heater fails to operate:

- Make sure the electrical outlet or circuit breaker is working.
- Check for obstructions. If you find an obstruction turn the heater OFF, and UNPLUG THE UNIT. Carefully remove the obstruction and follow the reset instructions.
- The thermostat might be set too low. Turn the thermostat knob clockwise until the heater restarts.
- Make sure Mode Control is in Lo (I) or Hi (II) setting.

Please **DO NOT** attempt to open or repair the heater.



GO ONLINE NOW to

<http://www.bionaire.com/BIACLG201>

to receive a **FREE GIFT OR PROMO CODE***.

It's our "thanks" to you for being a Bionaire brand customer.

-You will also get access to special sale items & promotions on a full assortment of Bionaire® branded products.

HURRY & SIGN UP TODAY!

**While supplies last; subject to availability.*

If you have any questions regarding your product or would like to learn more about other Bionaire® products, please contact our Consumer Service Department at 1-800-253-2764 or visit our website at www.bionaire.com.

© 2012 Sunbeam Products, Inc. doing business as Jarden Consumer Solutions. All Rights Reserved.

Distributed by Sunbeam Products, Inc. doing business as Jarden Consumer Solutions, Boca Raton, Florida 33431.

156146
GCDS-BIO23782-VW

BH1520_12EM1

Printed In China

WARRANTY INFORMATION

1 YEAR LIMITED WARRANTY

Sunbeam Products, Inc. doing business as Jarden Consumer Solutions or if in Canada, Sunbeam Corporation (Canada) Limited doing business as Jarden Consumer Solutions (collectively "JCS") warrants that for a period of one year from the date of purchase, this product will be free from defects in material and workmanship. JCS, at its option, will repair or replace this product or any component of the product found to be defective during the warranty period. Replacement will be made with a new or remanufactured product or component. If the product is no longer available, replacement may be made with a similar product of equal or greater value. This is your exclusive warranty. Do NOT attempt to repair or adjust any electrical or mechanical functions on this product. Doing so will void this warranty.

This warranty is valid for the original retail purchaser from the date of initial retail purchase and is not transferable. Keep the original sales receipt. Proof of purchase is required to obtain warranty performance. JCS dealers, service centers, or retail stores selling JCS products do not have the right to alter, modify or any way change the terms and conditions of this warranty.

This warranty does not cover normal wear of parts or damage resulting from any of the following: negligent use or misuse of the product, use on improper voltage or current, use contrary to the operating instructions, disassembly, repair or alteration by anyone other than JCS or an authorized JCS service center. Further, the warranty does not cover: Acts of God, such as fire, flood, hurricanes and tornadoes.

What are the limits on JCS's Liability?

JCS shall not be liable for any incidental or consequential damages caused by the breach of any express, implied or statutory warranty or condition.

Except to the extent prohibited by applicable law, any implied warranty or condition of merchantability or fitness for a particular purpose is limited in duration to the duration of the above warranty.

JCS disclaims all other warranties, conditions or representations, express, implied, statutory or otherwise.

JCS shall not be liable for any damages of any kind resulting from the purchase, use or misuse of, or inability to use the product including incidental, special, consequential or similar damages or loss of profits, or for any breach of contract, fundamental or otherwise, or for any claim brought against purchaser by any other party.

Some provinces, states or jurisdictions do not allow the exclusion or limitation of incidental or consequential damages or limitations on how long an implied warranty lasts, so the above limitations or exclusion may not apply to you.

This warranty gives you specific legal rights, and you may also have other rights that vary from province to province, state to state or jurisdiction to jurisdiction.

How to Obtain Warranty Service

In the U.S.A.

If you have any question regarding this warranty or would like to obtain warranty service, please call 1-800-253-2764 and a convenient service center address will be provided to you.

In Canada

If you have any question regarding this warranty or would like to obtain warranty service, please call 1-800-253-2764 and a convenient service center address will be provided to you.

In the U.S.A., this warranty is offered by Sunbeam Products, Inc. doing business as Jarden Consumer Solutions located in Boca Raton, Florida 33431. In Canada, this warranty is offered by Sunbeam Corporation (Canada) Limited doing business as Jarden Consumer Solutions, located at 20 B Hereford Street, Brampton, Ontario L6Y 0M1. If you have any other problem or claim in connection with this product, please write our Consumer Service Department.

**PLEASE DO NOT RETURN THIS PRODUCT TO ANY OF THESE ADDRESSES
OR TO THE PLACE OF PURCHASE.**



pure indoor living



BIONAIRE® HEATER

MODEL: BH1520

Instruction Manual

Read instructions before operating. Retain for future reference.

Questions? Comments? Call 1-800-253-2764 in North America.

PLEASE READ AND SAVE THESE IMPORTANT SAFETY INSTRUCTIONS

When using electrical appliances, basic safety precautions should always be followed to reduce the risk of fire, electric shock, and injury to persons, including the following:

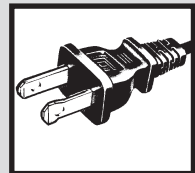
1. Read all instructions before using this heater.
2. This heater is hot when in use. To avoid burns, do not let bare skin touch hot surfaces. If provided, use handles when moving this heater. Keep combustible materials, such as furniture, pillows, bedding, papers, clothes, and curtains at least 3 feet (0.9 m) from the front of the heater and keep them away from the sides and rear.
3. Extreme caution is necessary when any heater is used by or near children or invalids and whenever the heater is left operating and unattended.
4. Always unplug heater when not in use.
5. Do not operate any heater with a damaged cord or plug or after the heater malfunctions, has been dropped or damaged in any manner. Discard heater, or return to authorized service facility for examination and/or repair.
6. Do not use outdoors.
7. This heater is not intended for use in bathrooms, laundry areas and similar indoor locations. Never locate heater where it may fall into a bathtub or other water container.
8. Do not run cord under carpeting. Do not cover cord with throw rugs, runners, or similar coverings. Do not route cord under furniture or appliances. Arrange cord away from traffic area and where it will not be tripped over.
9. To disconnect heater, turn controls to off, then remove plug from outlet.
10. Do not insert or allow foreign objects to enter any ventilation or exhaust opening as this may cause an

electric shock or fire, or damage the heater.

11. To prevent a possible fire, do not block air intakes or exhaust in any manner. Do not use on soft surfaces, like a bed, where openings may become blocked.
12. A heater has hot and arcing or sparking parts inside. Do not use it in areas where gasoline, paint, or flammable liquids are used or stored.
13. Use this heater only as described in this manual. Any other use not recommended by the manufacturer may cause fire, electric shock, or injury to persons.
14. Always plug heaters directly into a wall outlet/receptacle. Never use with an extension cord or relocatable power tap (outlet/power strip).
15. When unplugging, be sure to pull by the plug and not the cord.
16. If the heater will not operate, see specific instructions on Auto Safety Shut-off.
17. DO NOT attempt to repair or adjust any electrical or mechanical functions on this unit. Doing so will void your warranty. The inside of the unit contains no user serviceable parts. All servicing should be performed by qualified personnel only.
18. Discontinue use if plug or outlet is hot. It is recommended that the outlet be replaced if plug or outlet is hot to touch.
19. The heater must not be located immediately below a socket-outlet. Do not use this heater in the immediate surroundings of a bath, a shower or a swimming pool.

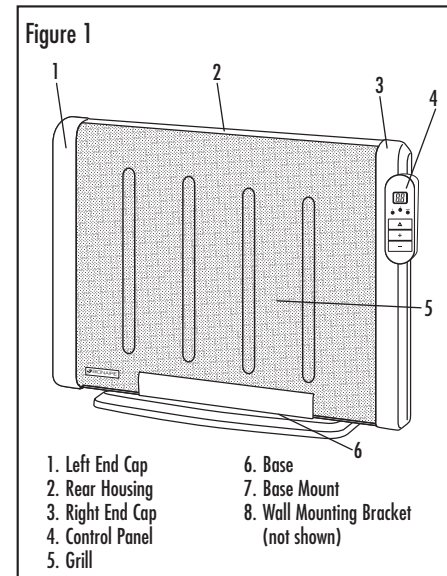
SAVE THESE INSTRUCTIONS

THIS APPLIANCE HAS A POLARIZED PLUG (one blade is wider than the other). To reduce the risk of electric shock, this plug is intended to fit in a polarized outlet only one way. If the plug does not fit fully in the outlet, reverse the plug. If it still does not fit, contact a qualified electrician to install the proper outlet. DO NOT ATTEMPT TO MODIFY THIS PLUG OR DEFEAT THIS SAFETY FEATURE IN ANY WAY.



FEATURES - OPERATIONS

DESCRIPTIONS (SEE FIG. 1 & 2)



TECHNICAL SPECIFICATIONS

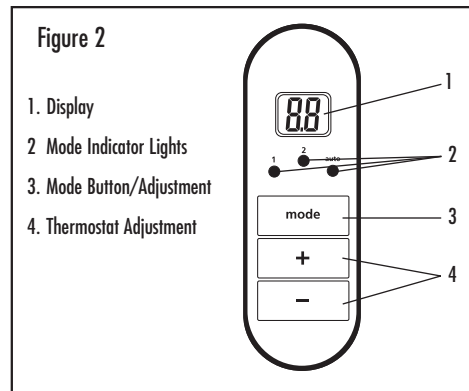
- Wattage: 1500W/ (+ 5% - 10%)
- Working Voltage: 120V AC/60 HZ

PRE-OPERATING INSTRUCTIONS

1. Carefully remove your heater from the box.
2. Check package for additional parts if unit is not shipped already assembled.
3. Place the heater on a firm, level surface.
4. Avoid overloading your circuit by not using other high wattage appliances in the same outlet. At 1500 Watts, this unit draws 12.5 Amps.

TURNING THE UNIT ON/OFF AND SETTING THE THERMOSTAT

1. Plug unit into wall socket.
2. Press (mode) button:
 - 1st = LO; runs continuously on Low.
 - 2nd = HI; runs continuously on High.



- 3rd = Auto Low (AL); press (+) or (-) to set desired temperature.
 - 4th = Auto HI (AH); press (+) or (-) to set desired temperature.
3. Once you have selected the mode and temperature, the display returns to the current room temperature and gradually increases as the room warms.
 4. If you selected an Auto mode and the heater does not start, make sure the set temperature is higher than the current room temperature.
 5. To turn the unit off, keep pressing the mode button (3) until all mode indicator lights (2) are not illuminated. (Figure 2)

SETTING THE ON TIMER

1. With the heater off, press and hold (+) and (-) simultaneously until display flashes "0".
2. Press (+) or (-) to select the amount of time you would like to pass before the heater turns on.
3. After setting the timer, the display shows a red dot next to the current room temperature on the display to indicate that the timer is activated.
4. After the programmed length of time has passed, the heater automatically turns on Auto HI at 75°F for 2 hours.

SETTING THE OFF TIMER

1. Select the desired mode and/or temperature.
2. With the heater running, press and hold (+) and (-)

FEATURES - OPERATIONS

simultaneously until the display flashed.

3. Press (+) or (-) to select the amount of time you would like the heater to run.
4. After setting the timer, the display shows a RED dot next to current room temperature on the display to indicate that the timer is activated.
5. The heater automatically shuts off after the programmed length of time has passed.

FrostProtect™

Press the (mode) button 5 consecutive times for FrostProtect setting (AF will show in the digital display). This mode will activate your heater when the surrounding area reaches near freezing temperatures and will cycle ON and OFF in HI power to maintain a temperature between 40-48°F.

WALL MOUNTING ASSEMBLY (SEE FIG. 3-6)

IMPORTANT: Before drilling into any wall ensure no electrical cables are present in the area.

NOTE: Due to the multitude of potential mounting surfaces, mounting screws are not included with this product. Please seek professional assistance or visit your local hardware store to determine which type of screw is best for your

particular wall.

1. Remove Base (6) from the bottom of the Base Mount (7). Refer to Figure 3.
2. Remove Base Mount from the bottom of the Grill (5) by removing the two securing screws. Refer to Figure 4.
3. Secure the Wall Mounting Bracket (8) to the wall. Refer to Figure 5.
4. Hang the Heater Unit on the Mounting Bracket using the hooks located on the back of the unit.

AUTO SAFETY SHUT-OFF

This heater is equipped with a technologically-advanced, safety system that automatically shuts off power to the heater when a potential overheat temperature is reached. The heater can only resume operation when you reset it.

Reset the Heater

If the unit shuts down:

1. Unplug the heater and wait 30 minutes.
2. Plug in and turn on.

Tip-Over Shut-Off

If the heater is knocked over, it will instantly shut off. To reset, simply place the heater in an upright position and turn ON the heater.

