

# INSTRUCTION SHEET

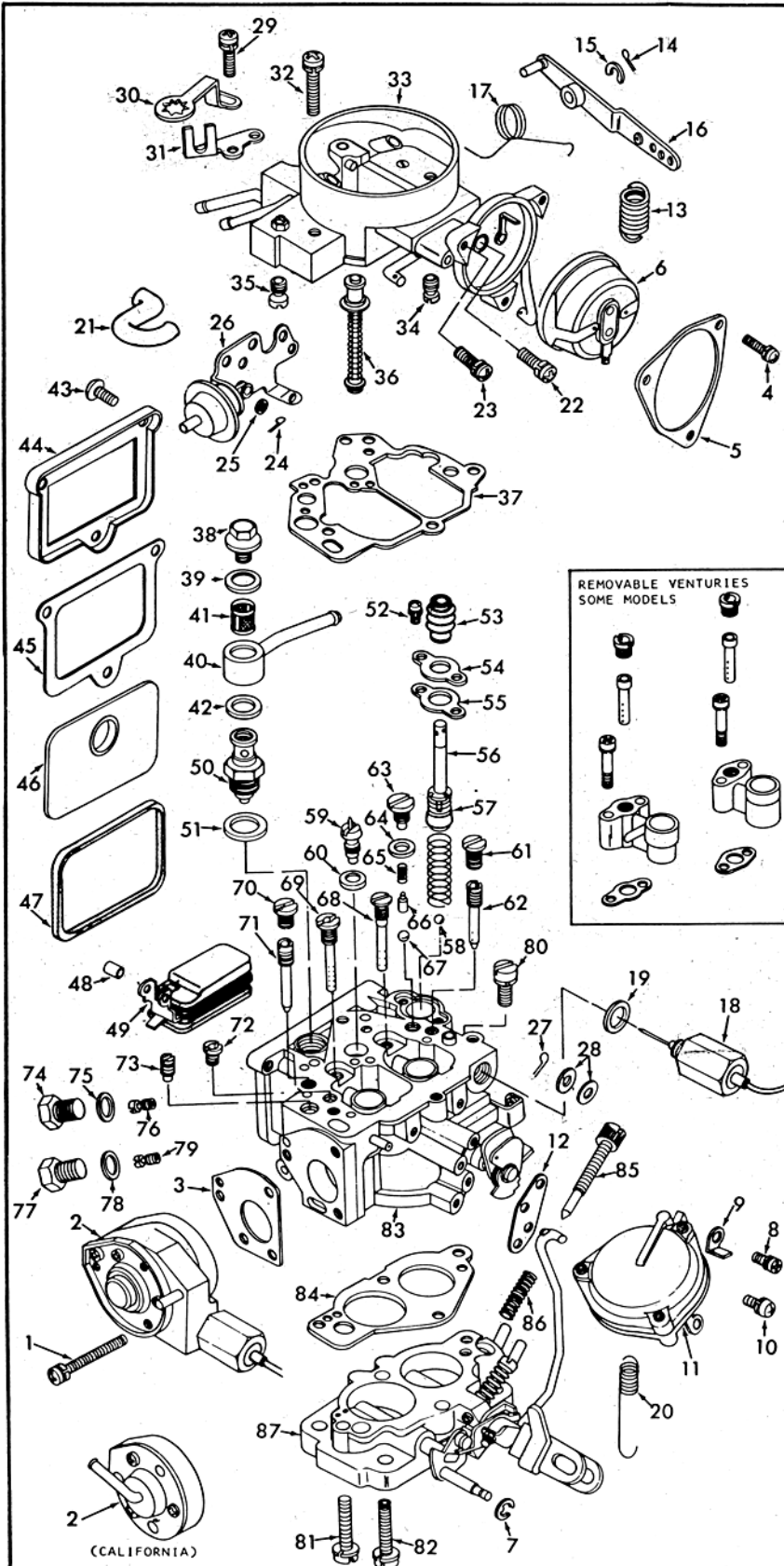
## HITACHI CARBURETOR - MODEL DCH 340

(LATE DESIGN)

08050-517-2

### GENERAL EXPLODED VIEW

THE GENERAL DESIGN AND PARTS SHOWN WILL VARY TO  
INDIVIDUAL UNITS COVERED ON THIS INSTRUCTION SHEET.



### DISASSEMBLY

USE EXPLODED VIEW AS A GUIDE. THE NUMERICAL SEQUENCE MAY GENERALLY BE FOLLOWED TO DISASSEMBLE UNIT FAR ENOUGH TO PERMIT CLEANING AND INSPECTION. NOTE: WHEN REMOVING COASTING VALVE ASSY. (2), REMOVE ONLY 3 LONGEST SCREWS (1). REMOVE STAKING FROM BOWL COVER FOR EASY REMOVAL OF POWER PISTON ASSY. (36). NOTE SIZES OF JETS AND THEIR LOCATION FOR PROPER ASSEMBLY (RECORD SIZES BELOW). ALSO NOTE LOCATION OF HOLLOW THROTTLE BODY SCREW (82).

### NOMENCLATURE

REF. NO.	REF. NO.
1. SCREW & LOCKWASHER (3) - COASTING VALVE	43. SCREW (3) - WINDOW CLAMP
2. COASTING VALVE ASSY. (B.C.D.D.)	44. CLAMP - WINDOW
3. GASKET - COASTING VALVE	45. GASKET - WINDOW CLAMP
4. SCREW & LOCKWASHER (3) - CHOKE COVER RETAINER	46. WINDOW - FUEL BOWL
5. RETAINER - CHOKE COVER	47. GASKET - BOWL WINDOW
6. CHOKE COVER ASSY.-ELECTRIC	48. SLEEVE - FLOAT RETAINER
7. E CLIP - SEC. DIAPHRAGM LINK	49. FLOAT ASSY.
8. SCREW & LOCKWASHER-CAM STOP	50. NEEDLE & SEAT ASSY.
9. STOP - CAM	51. GASKET (SERVICE) - NEEDLE SEAT
10. SCREW & LOCKWASHER (2) - SEC. DIAPH.	52. SCREW & LOCKWASHER (2) - PUMP PLATE
11. SECONDARY DIAPHRAGM ASSY.	53. BOOT - PUMP
12. GASKET-SECONDARY DIAPHRAGM ASSY.	54. PLATE - PUMP
13. SPRING - THROTTLE RETURN	55. GASKET - PUMP PLATE
14. COTTER PIN - PUMP LEVER	56. PUMP ASSY.
15. E CLIP - PUMP LEVER	57. SPRING - PUMP RETURN
16. LEVER - PUMP	58. BALL - PUMP INTAKE CHECK
17. SPRING - PUMP LEVER	59. POWER VALVE ASSY.
18. SOLENOID VALVE - ANTI-DIESELING	60. GASKET - POWER VALVE
19. GASKET - ANTI-DIESELING SOLENOID VALVE	61. PLUG - PRI. SLOW JET
20. SPRING - SEC. LEVER RETURN	62. JET - PRIMARY SLOW
21. VAC. HOSE - CHOKE VAC. BREAK	63. PLUG - PUMP DISC. CHECK
22. SCREW & LOCKWASHER - CHOKE HOUSING	64. GASKET - PLUG
23. SCREW & LOCKWASHER - CHOKE HOUSING	65. SPRING - PUMP DISC. BALL
24. COTTER PIN - VAC BREAK LINK	66. WEIGHT - PUMP DISC. BALL
25. WASHER - VAC BREAK LINK	67. BALL - PUMP DISC. CHECK
26. VACUUM BREAK ASSY.	68. JET - PRI. MAIN AIR BLEED
27. COTTER PIN - FAST IDLE ROD	69. JET - SEC. MAIN AIR BLEED
28. WASHER (2) - FAST IDLE ROD	70. PLUG - SEC. SLOW JET
29. SCREW & WASHERS-LOCK LEVER	71. JET - SEC. SLOW
30. LEVER - LOCK	72. JET - SEC. SLOW AIR BLEED
31. BRACKET - FUEL NIPPLE	73. JET - COASTING
32. SCREW & LOCKWASHER (3) - AIR HORN	74. PLUG - PRI. MAIN JET
33. AIR HORN ASSY.	75. GASKET - PLUG
34. JET - RICHER	76. JET - PRIMARY MAIN
35. JET - COASTING AIR BLEED	77. PLUG - SEC. MAIN JET
36. POWER PISTON ASSY.	78. GASKET - PLUG
37. GASKET - AIR HORN	79. JET - SECONDARY MAIN
38. BOLT - FUEL INLET NIPPLE	80. SCREW & LOCKWASHER - THROTTLE BODY
39. GASKET-FUEL NIPPLE (UPPER)	81. SCREW & LOCKWASHER (2) - THROTTLE BODY
40. NIPPLE - FUEL INLET	82. SCREW & LOCKWASHER (1) HOLLOW - THROTTLE BODY
41. SCREEN - FUEL INLET	83. BOWL ASSY.
42. GASKET-FUEL NIPPLE (LOWER)	84. GASKET - THROTTLE BODY
	85. NEEDLE - IDLE ADJUSTING
	86. SPRING - IDLE ADJ. NEEDLE
	87. THROTTLE BODY ASSY.

### CLEANING

CLEANING MUST BE DONE WITH CARBURETOR DISASSEMBLED. SOAK PARTS LONG ENOUGH TO SOFTEN AND REMOVE ALL FOREIGN MATERIAL. USE A CARBURETOR CLEANING SOLVENT. MAKE CERTAIN THE THROTTLE BODY IS FREE OF ALL CARBON DEPOSITS. WASH OFF IN A SUITABLE SOLVENT. BLOW OUT ALL PASSAGES IN CASTINGS WITH COMPRESSED AIR AND CHECK CAREFULLY TO INSURE THOROUGH CLEANING OF OBSCURE AREAS. CAUTION: DO NOT SOAK CHOKE COVER (6); DIAPHRAGM ASSEMBLIES (2), (11), (26); SOLENOID (18); OR PARTS MADE OF RUBBER IN ANY TYPE OF CLEANING SOLVENT.

### REASSEMBLY

REASSEMBLE IN REVERSE ORDER OF DISASSEMBLY. NOTE SPECIAL INSTRUCTIONS AND ADJUSTMENTS.

### SPECIAL INSTRUCTIONS

- IDLE ADJUSTING NEEDLE (85) - TURN NEEDLE IN UNTIL LIGHTLY SEATED, THEN BACK OUT 2 TO 2 1/2 TURNS.
- PUMP RETURN SPRING (57) - INSTALL WITH CROSS WIRE IN SLOT AT BOTTOM OF PUMP CYLINDER.
- PUMP PLUNGER (56) - REMOVE PAPER SLEEVE FROM LEATHER CUP IF USED. FLEX LEATHER OUTWARD SLIGHTLY. SOAK CUP IN LIGHT OIL A FEW MINUTES PRIOR TO PLACING IN CARBURETOR.
- NEEDLE & SEAT (50) - INSTALL GASKET (51) ON SERVICE NEEDLE & SEAT.
- WINDOW CLAMP SCREWS (43) - TIGHTEN SCREWS DOWN EVENLY. DON'T OVERTIGHTEN.
- POWER PISTON (36) - AFTER INSTALLATION, LIGHTLY RESTAKE CASTING AROUND WASHER.
- SEC. LEVER RETURN SPRING (20) - INSTALL WITH LONG HOOK TO THE BOTTOM AND HOOKS FACING OUT.

# ADJUSTMENTS

