



Tech TIPS

SUPPORTING TODAY'S PROFESSIONAL TECHNICIAN

Slider-Style Caliper Problems

Application:

All floating/sliding calipers.

Problem:

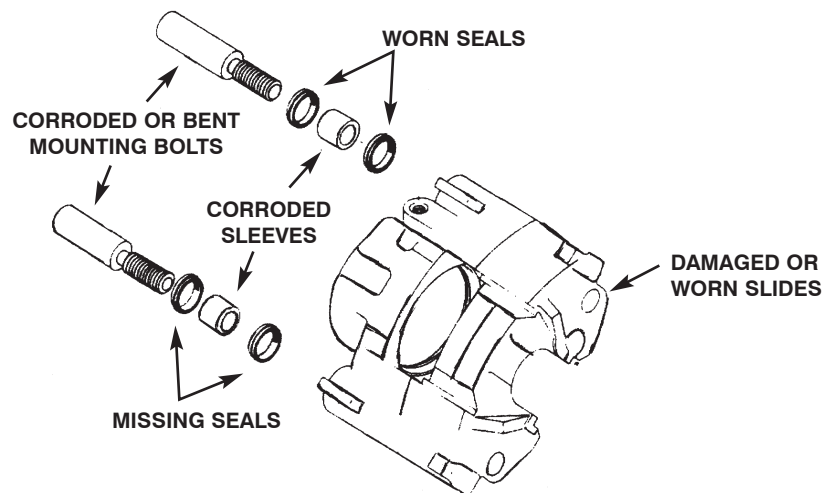
One pad worn, uneven pad wear, or abnormal caliper operation.

Cause:

Caliper is not free to move because of bent or binding mounting pins, worn slides, bent or damaged mounting brackets, swollen or hardened guide seals or lack of lubrication.

Solution:

Carefully inspect all mounting surfaces and hardware for corrosion, wear or misalignment. Replace all mounting hardware and install replacement caliper using proper caliper lubricant.

**Installations Tips:**

The use of high temperature caliper lubricant is highly recommended for use on all mounting sleeves, bushings, sliding surfaces, pins or bolts. This lubricant effectively reduces noise caused by vibration, ensures proper operation and allows maximum pad and caliper life.