



NAPA Tech TIPS

SUPPORTING TODAY'S PROFESSIONAL TECHNICIAN

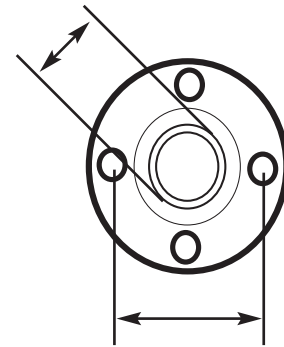
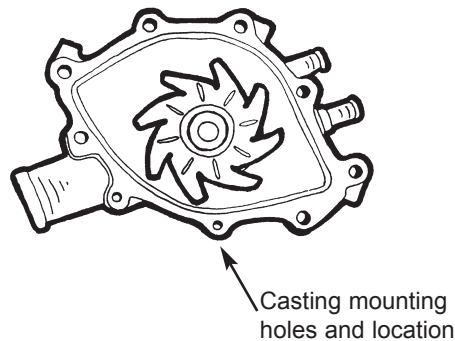
Matching Critical Dimensions and Features Ensures Correct Pump

Application: All vehicles with water pumps.

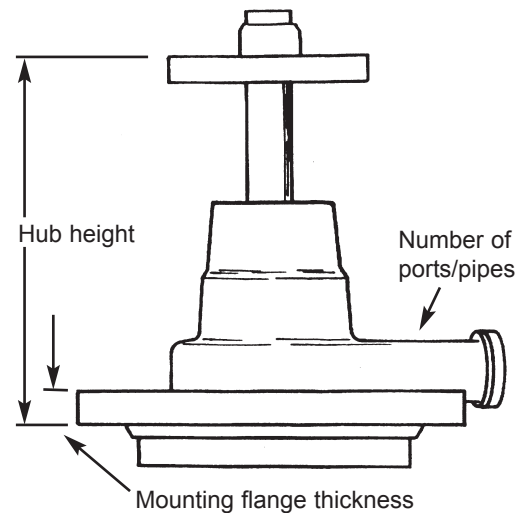
Problem: Installation problem due to improper fit or improper pump operation.

Cause: Replacement unit was not compared to original pump before installation.

Solution: Always match critical dimensions before installing the replacement water pump.



Shaft size, hub bolt pattern and spacing, number of holes, thread size and type



Note: Be sure to read and follow all installation instructions, tags or labels. Refer to Tech Tips TT 58-0004N, TT 58-0005N and TT 58-0006N for specific application issues.